

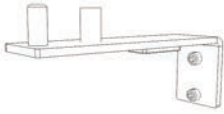

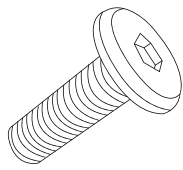
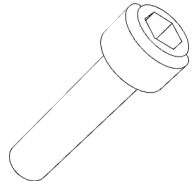
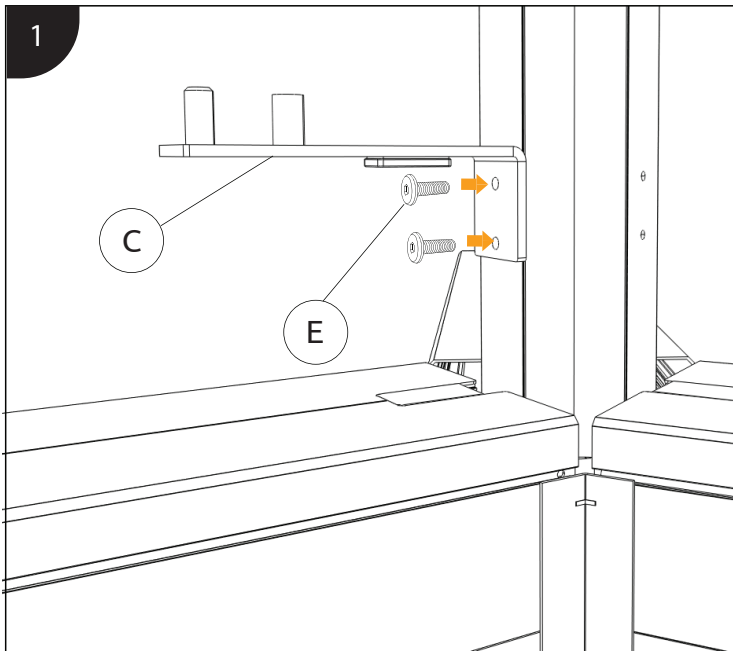


### MAIN COMPONENTS

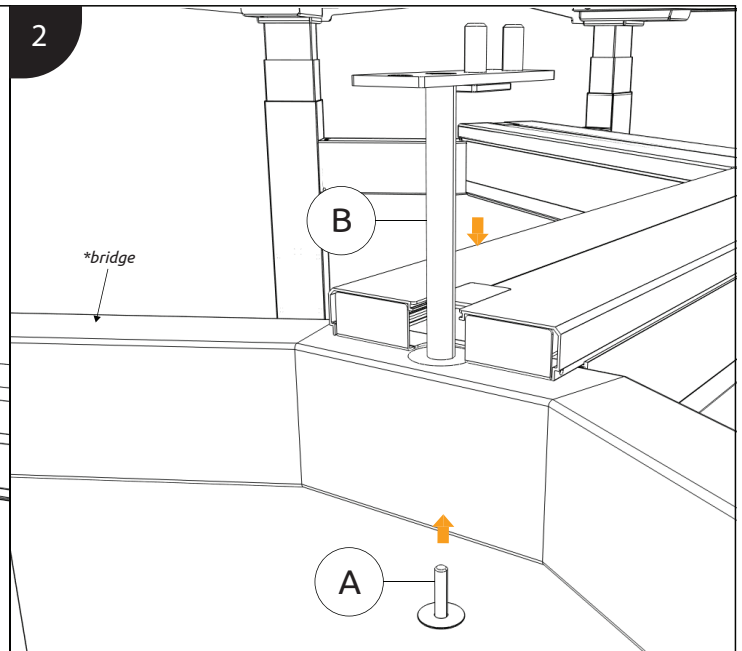
 <p>Component A (x3)</p>	 <p>Component B (x3)</p>	 <p>Component C (x3)</p>	 <p>Component D (x3)</p>	 <p>Component E (x3)</p>	 <p>Component F (x3)</p>
---	---	---	--	---	---

### TOOLS & MANPOWER

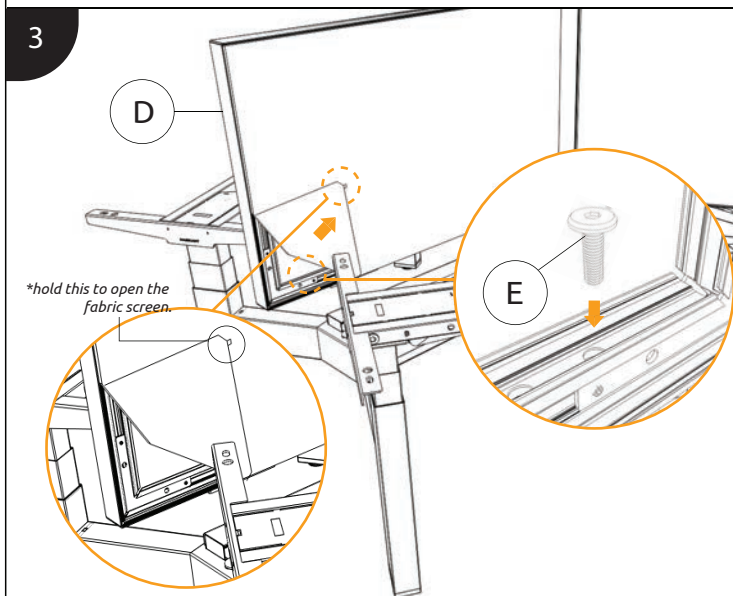
 <p>Manpower x2</p>	 <p>Power Tool x2</p>	 <p>Allen Key x2</p>
--	--	---



Slot C inside the hole of the pole with a (E) screw and tighten it using Allen key. Repeat this step for the other 2.

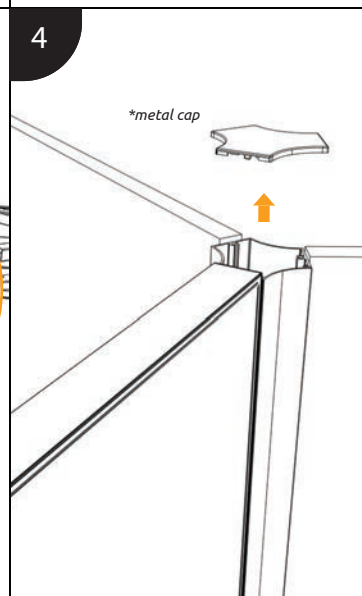


Attach B on top of the bridge and slot in A to tighten and secure its position. Repeat it 2x.



*\*hold this to open the fabric screen.*

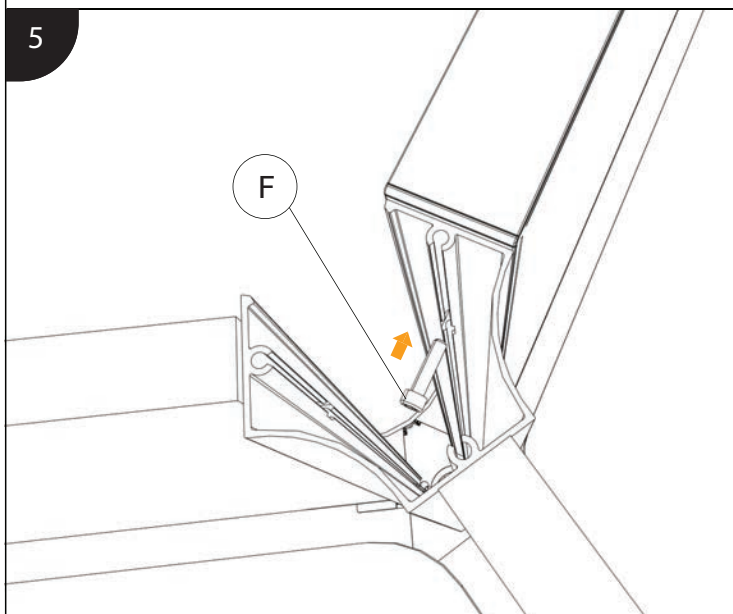
Pull out the fabric screen to get access to the inside part. Attach the screen by using (E) screw and tighten it using Allen key. Repeat this step 2x.



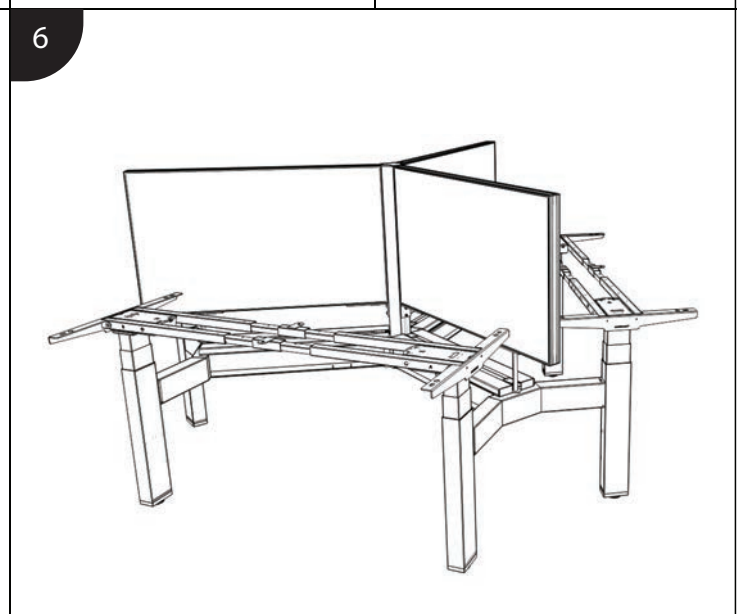
Take out the metal cap from the power pole.



Slide up the lid to get access inside the pole.



Attach the top part of the screen by using (F) screw and tighten it using Allen key. Repeat this step 2x on the other 2 screen. Cover back the power pole lid and the metal cap afterward.



The screen installation is completed.