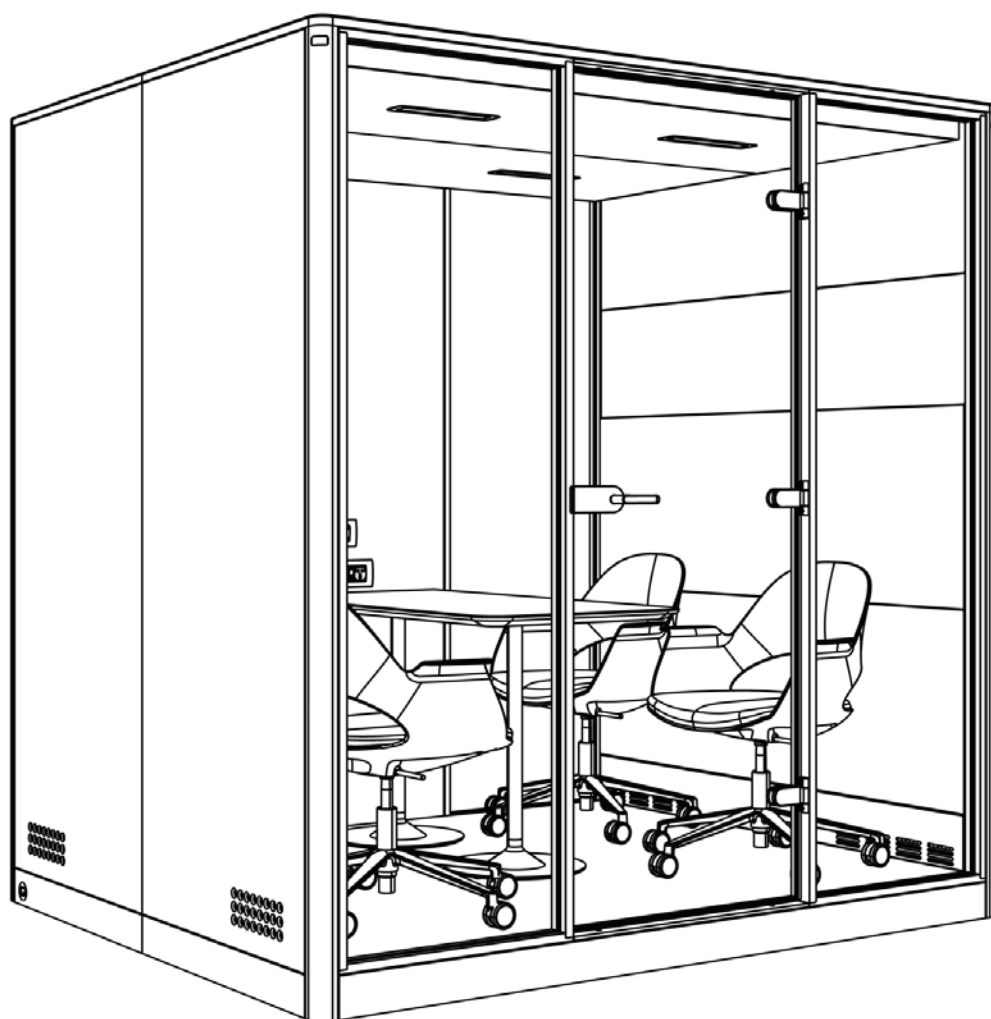


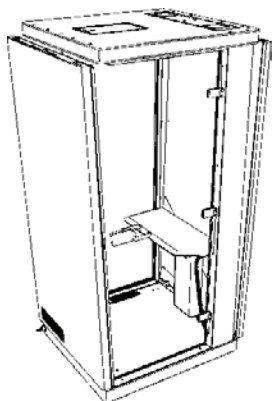
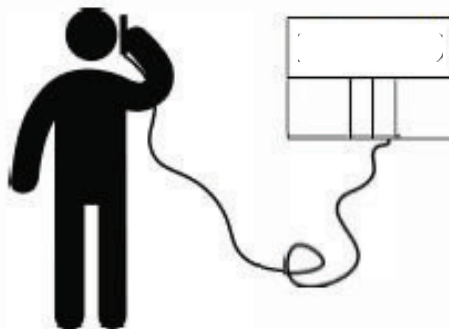
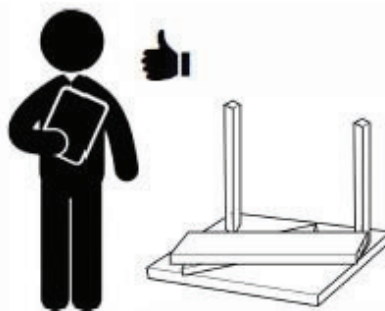
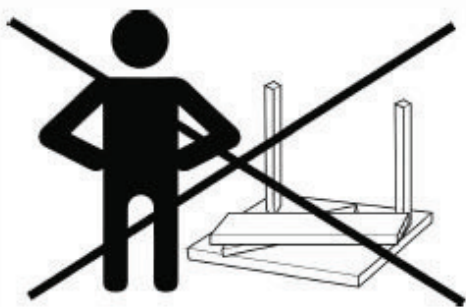
MARKANT

Apod Double X

180x220x227cm

Manual





Use level tool at each step, from the beginning till the end.



Decide on the side of the power connection before assembly and activate the left/right side accordingly.



If the ceiling height is 2,50 m or less, make sure the electric switch on top is on and select the setting of the sensor as wanted before installation of the roof.



Always use approved materials during installation.



If you notice any damages when opening the crate, please take immediate pictures before installation and share with dealer/manufacturer. The manufacturer cannot be held responsible for any damages caused during installation.

CAUTIONS



Do not move the Apod when it is plugged in.



After the installation the product will be very heavy. Moving carefully and slowly if you need change places of the product. Make sure everything is stable in the POD during movement.



Disconnect the power cable before starting any cleaning and maintenance.



Do not plug any appliances more than 220-230 VAC.



Do not plug any devices more than 350 watt



Make sure that Calma is not plugged in before you open the access cover on top.



Do not climb on top of Calma or place any load on the roof of Calma



Do not use the pod if you notice any defects in the electrical equipment or if the pod is not working properly. Disconnect the power cable from the power outlet and contact your dealer or the manufacturer.



The ventilation and lights work at the same time, make sure the lights are on when you are in.



Do not block the ventilation grill.



Do not use the product if the ventilation grills are blocked.



Keep the door closed at all times.



Do not smoke inside.



Keep fire away.



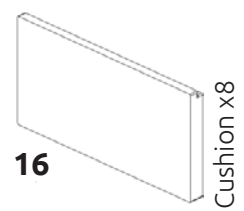
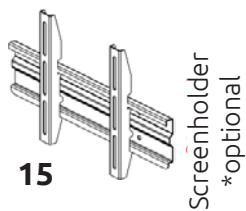
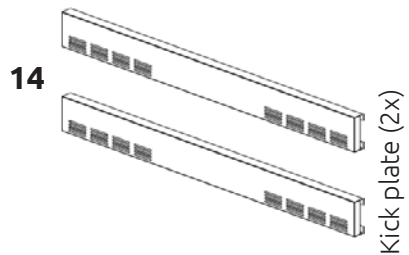
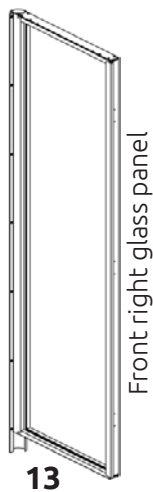
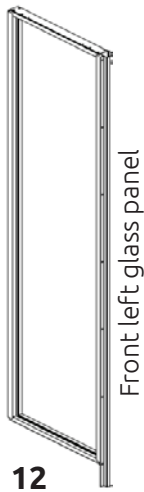
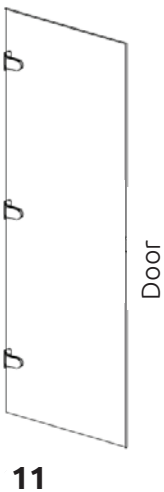
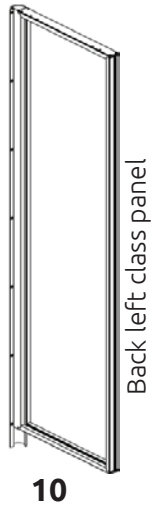
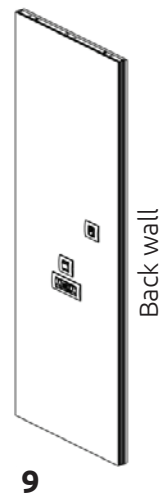
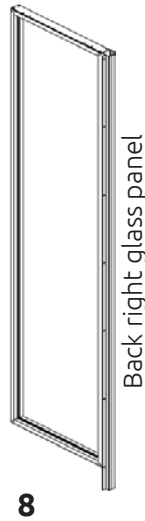
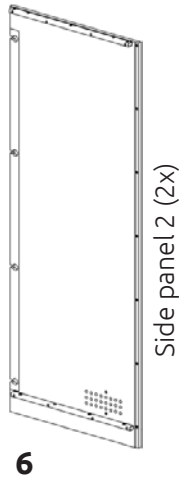
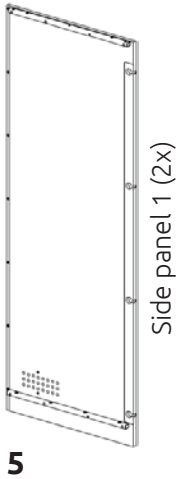
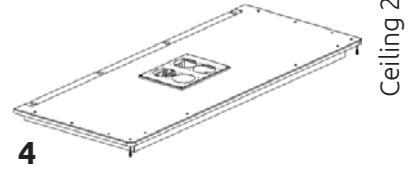
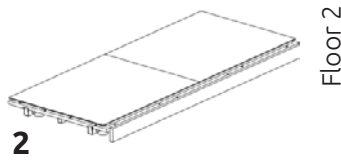
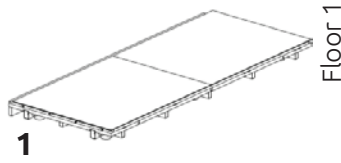
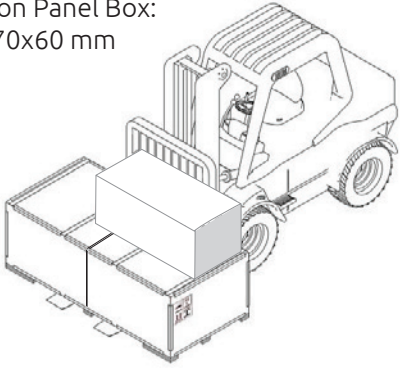
Do not use utility knife to open packages and boxes.

COMPONENTS APOD

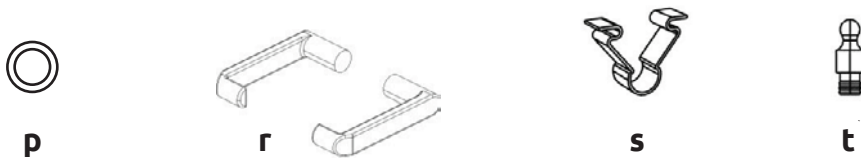
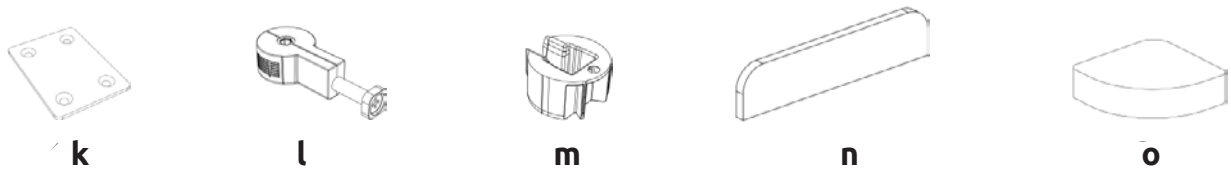
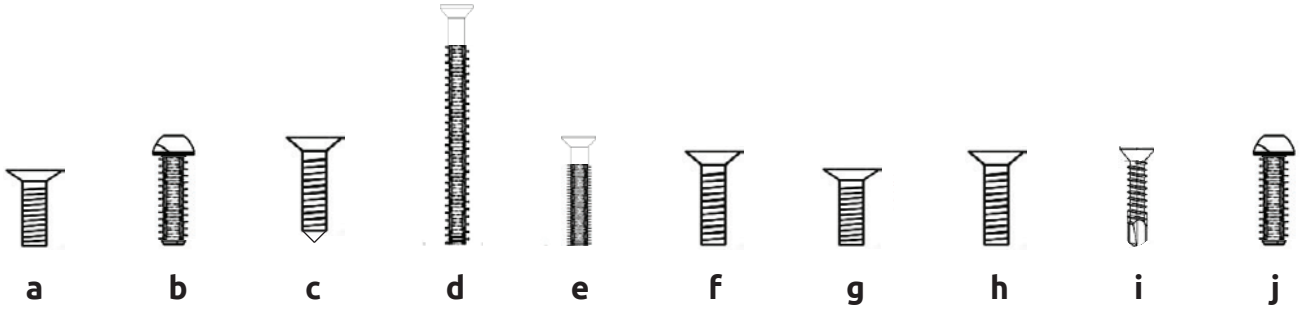
MAIN COMPONENT

Package Dimensions / Weight:
107x228x95 mm

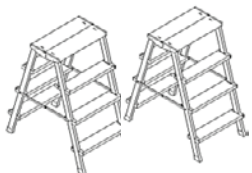
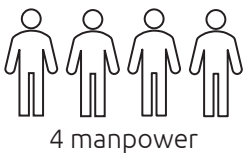
Cushion Panel Box:
180x70x60 mm



FASTENERS



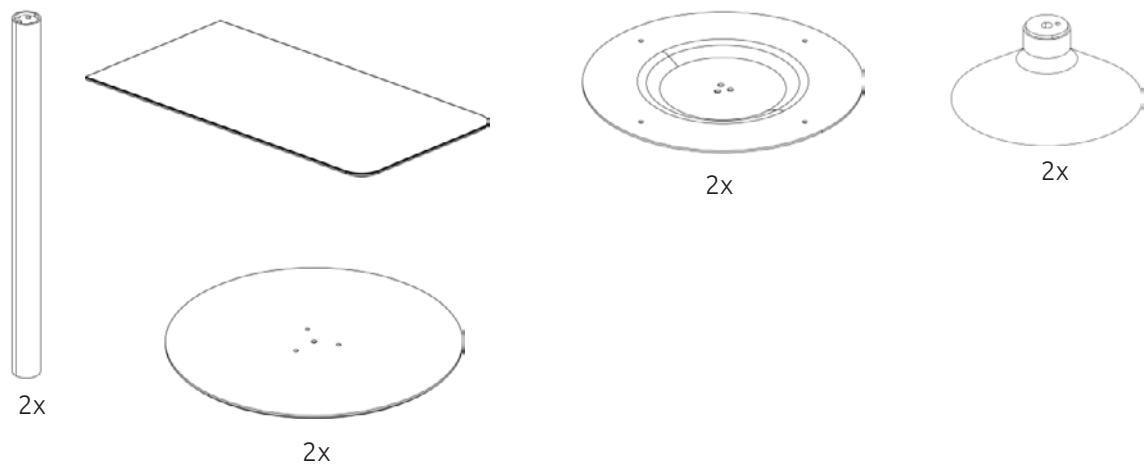
TOOLS AND MANPOWER



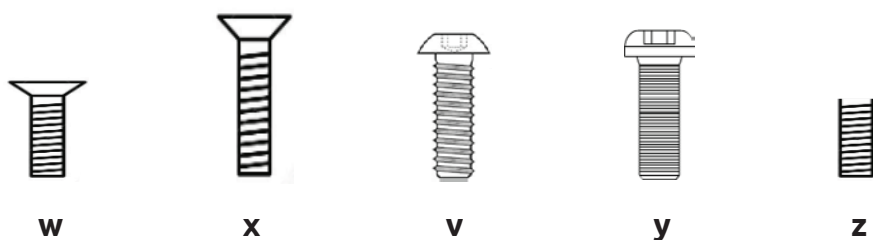
*Power tool, allen keys, allen screwdriver, level tol and stairs aire not included

TABLE INSTALLATION

MAIN COMPONENT



FASTENERS



TOOLS AND MANPOWER



1 manpower



power tool



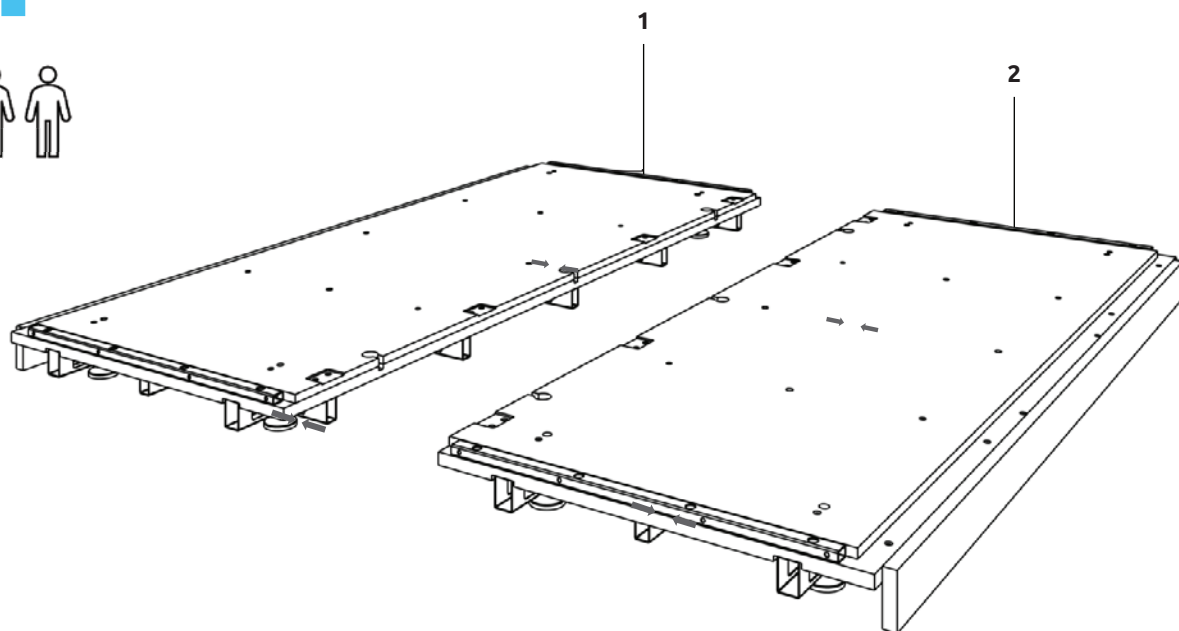
allen key
(6mm)



allen key
(4mm)

APOD FLOOR ASSEMBLY

1



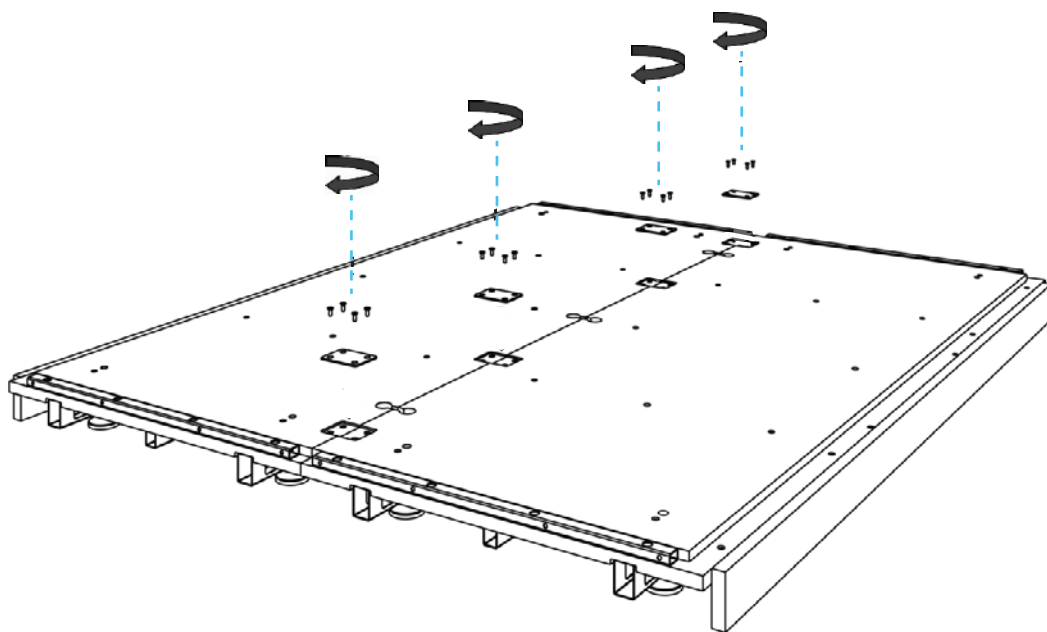
2



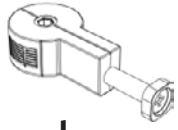
a
16x



k
4x



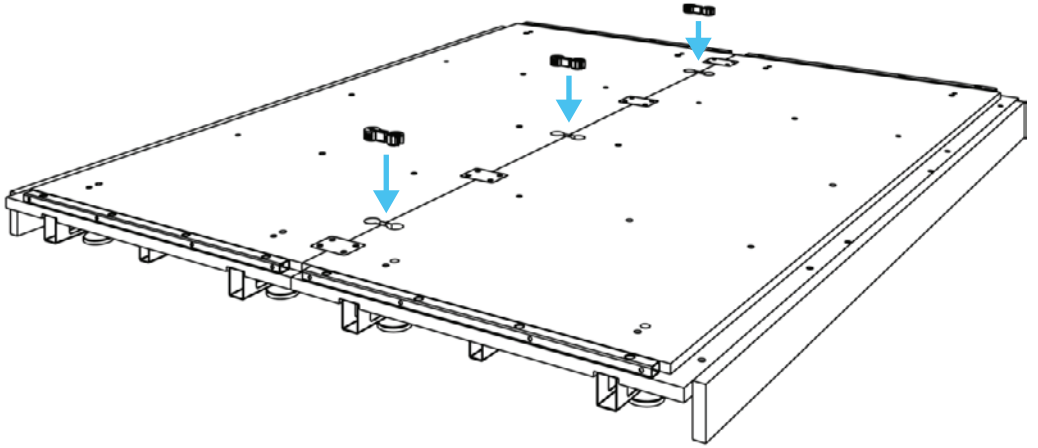
3



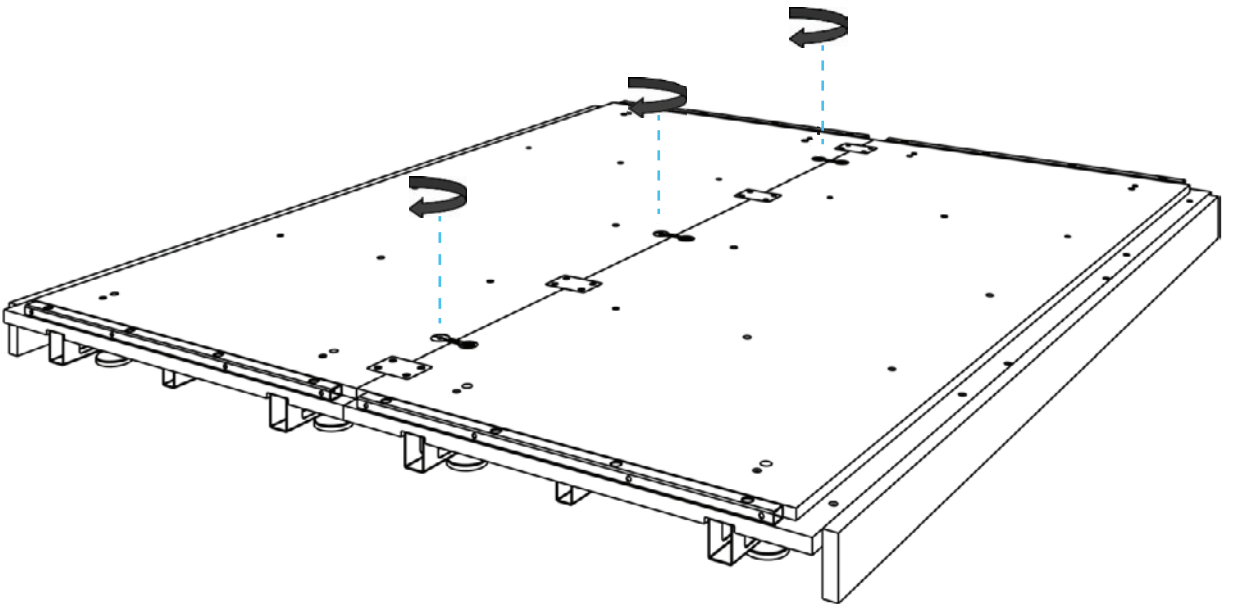
l
3x



m
3x

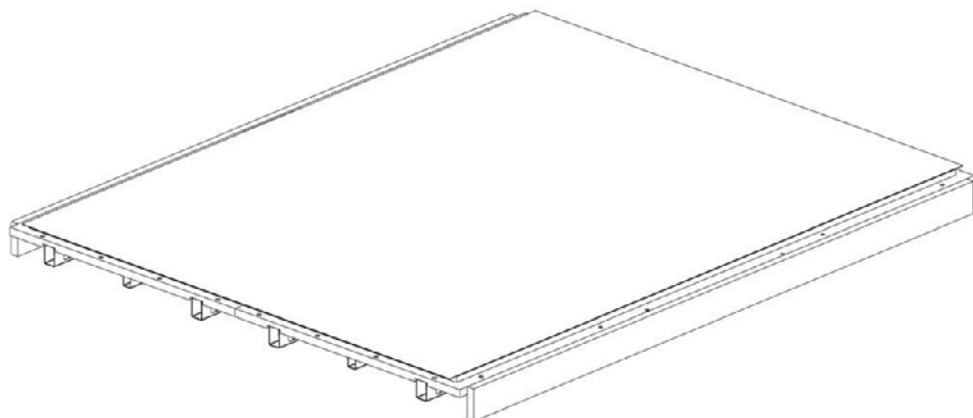


4

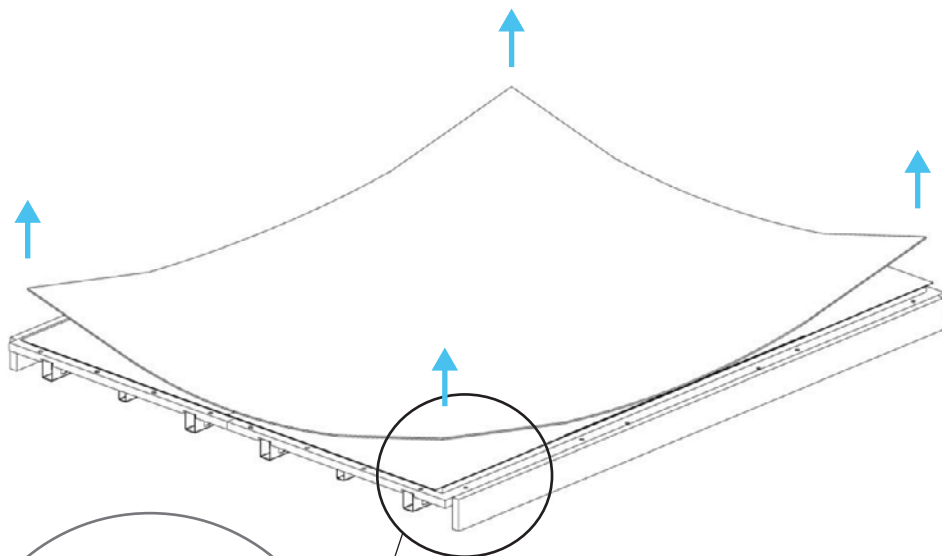


APOD INSTALLATION

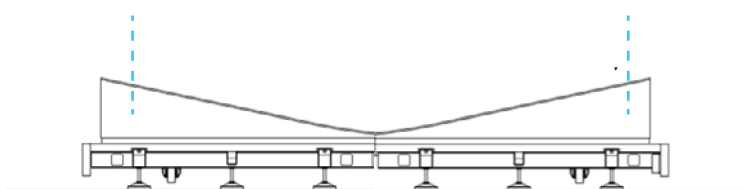
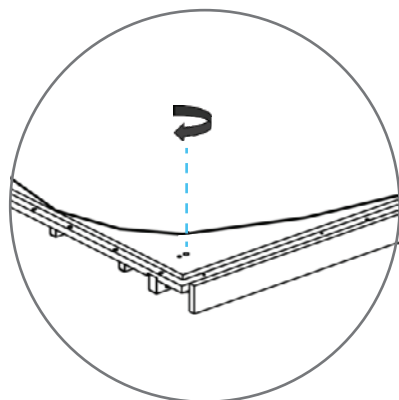
1



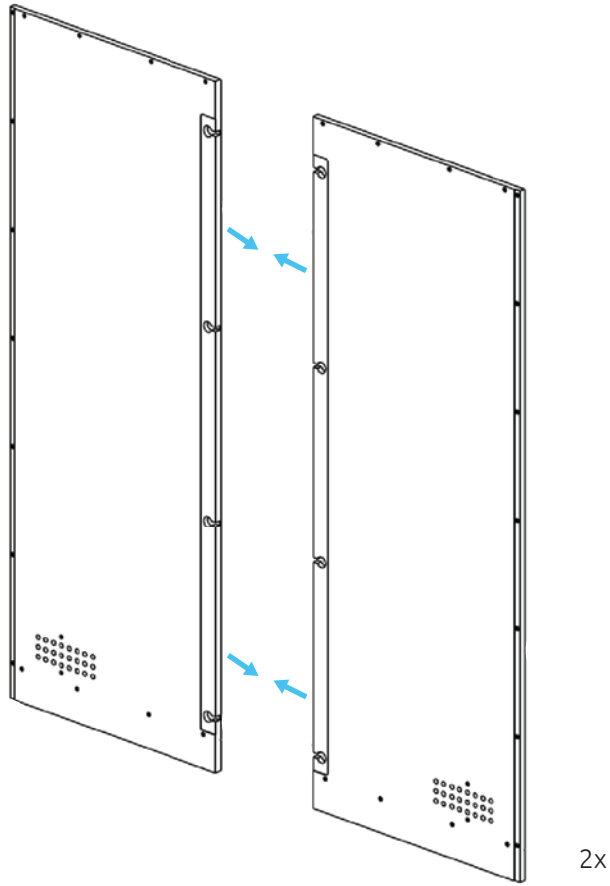
2



allen key
(4mm)



3



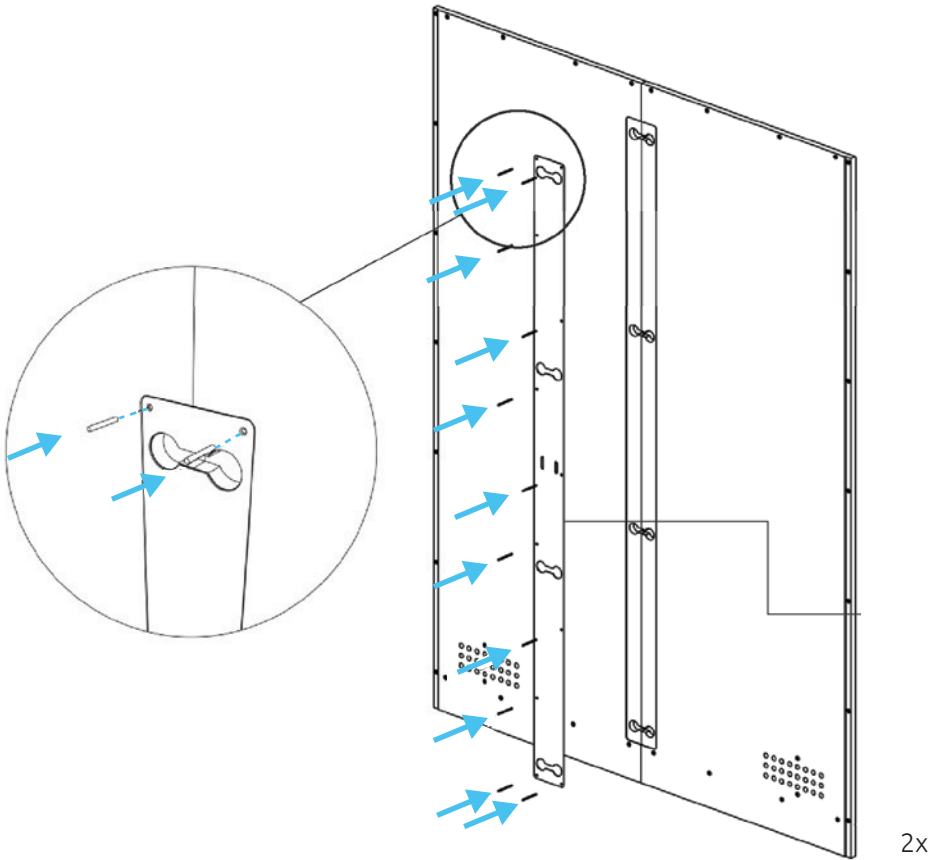
4



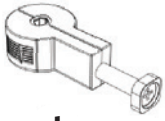
power tool



c
20x



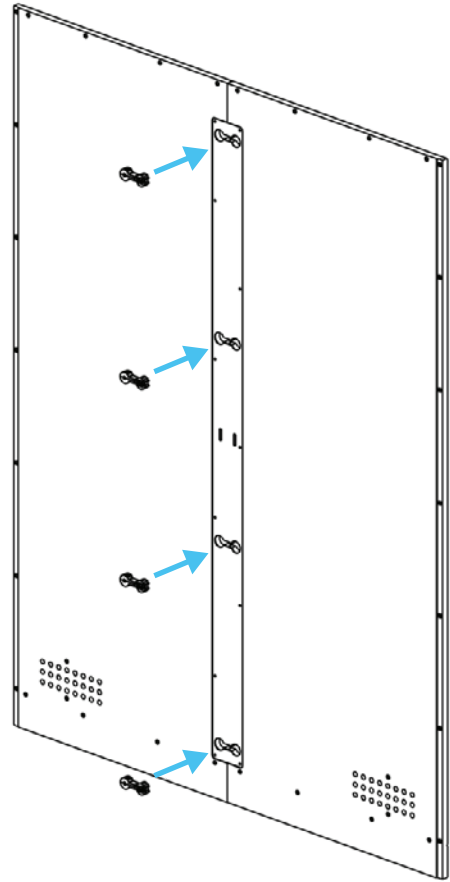
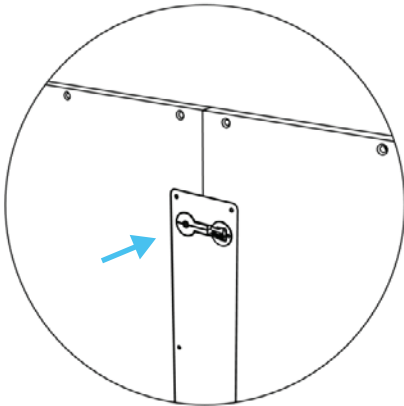
5



l
8x

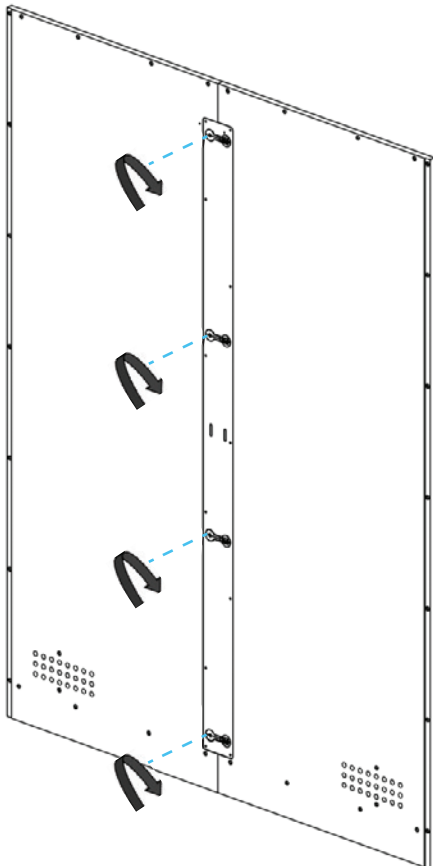


m
8x

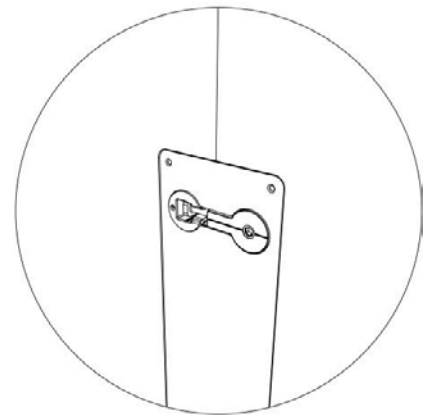


2x

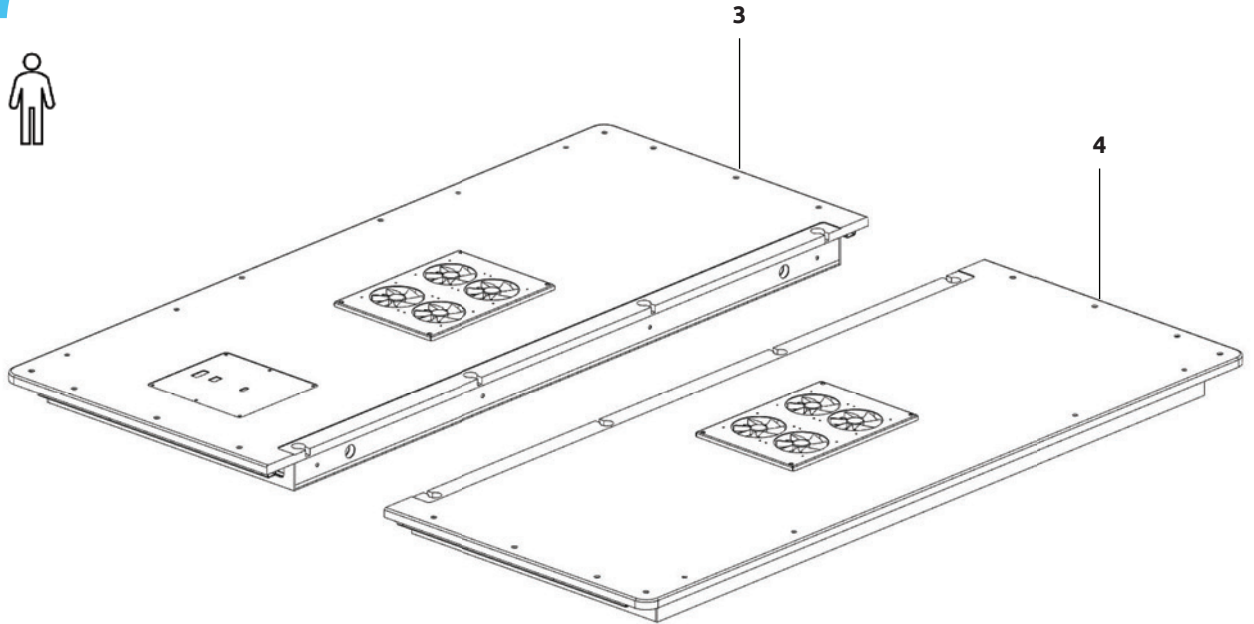
6



2x



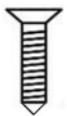
7



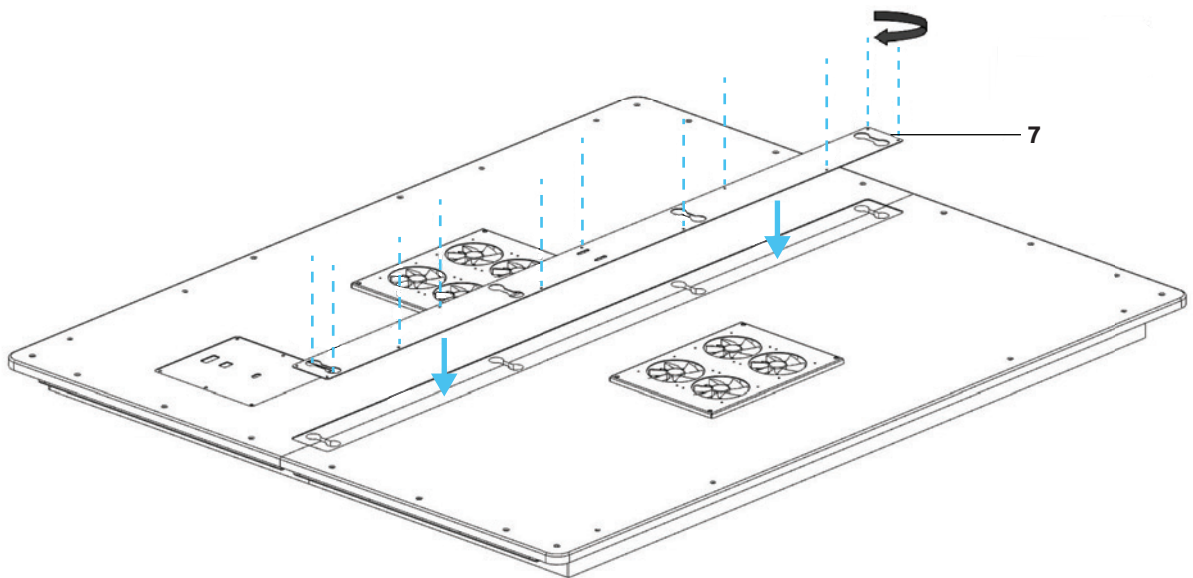
8



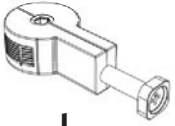
power tool



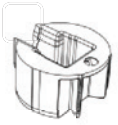
c
10x



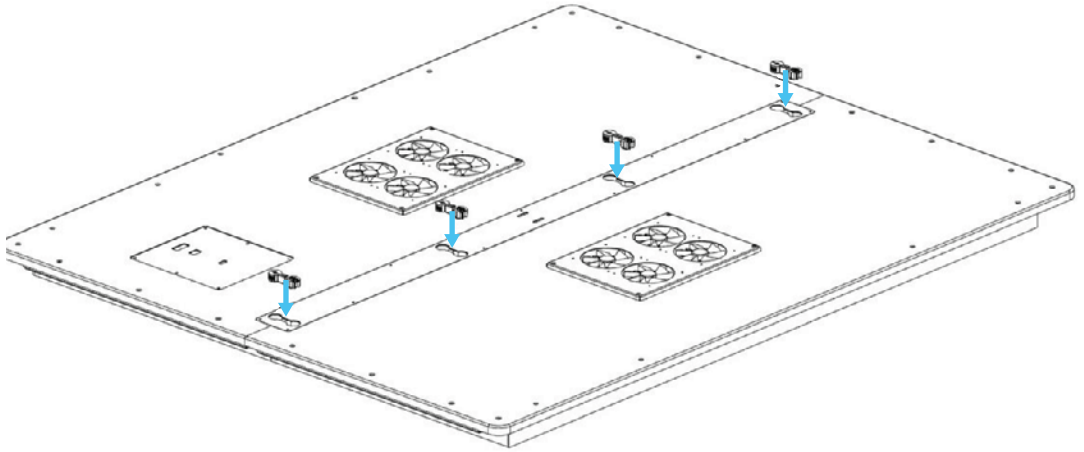
9



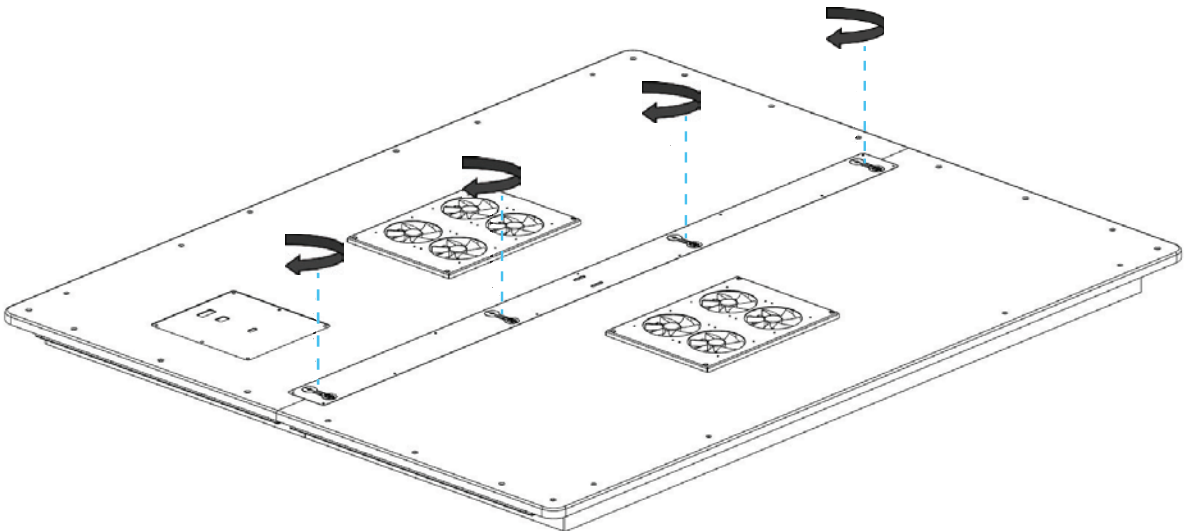
l
4x



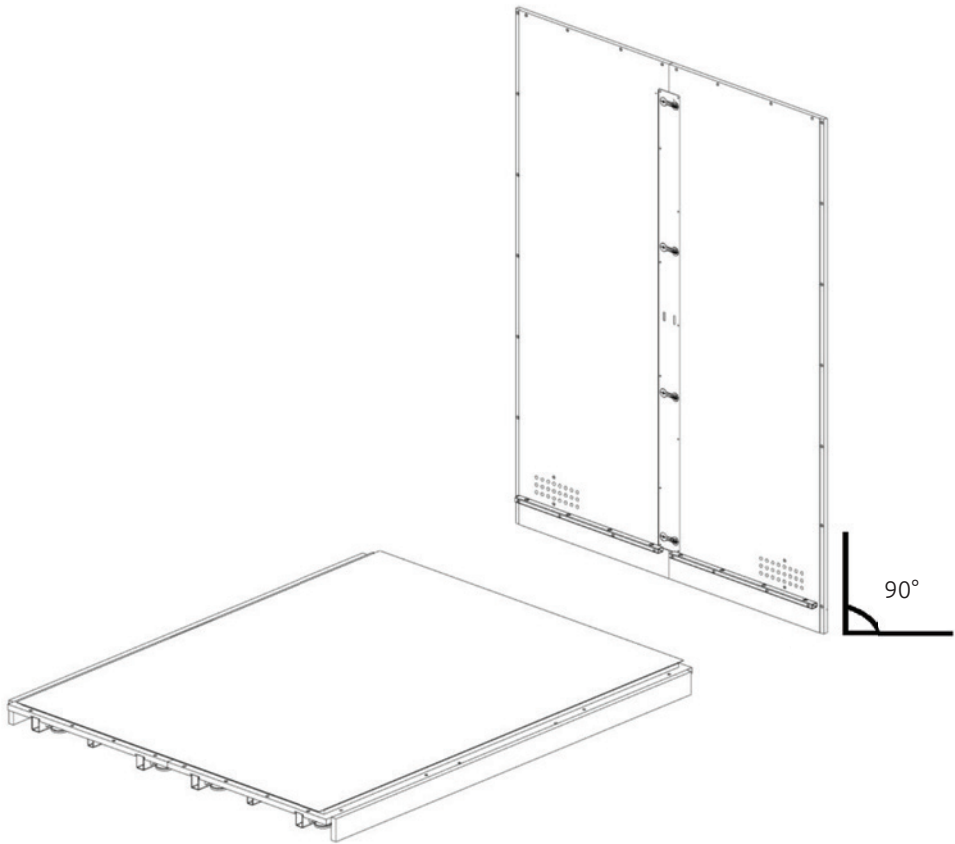
m
4x



10



11



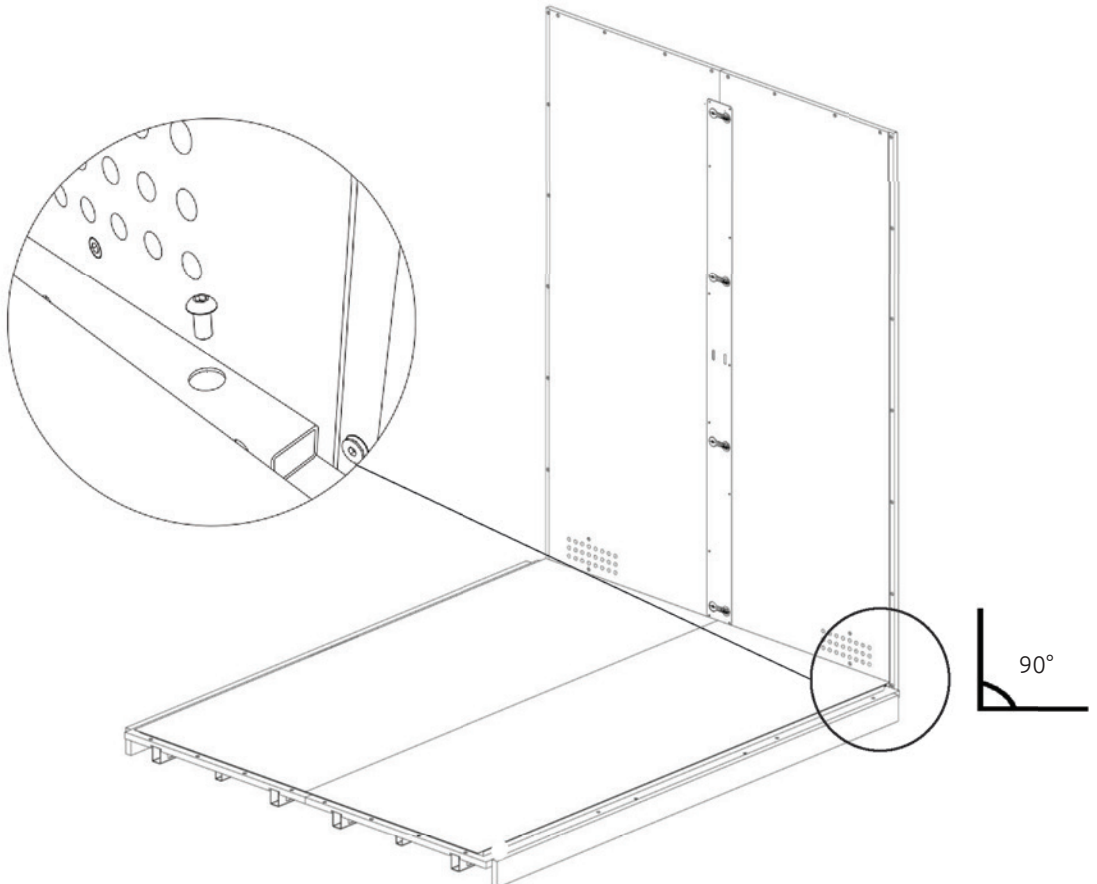
12



power tool



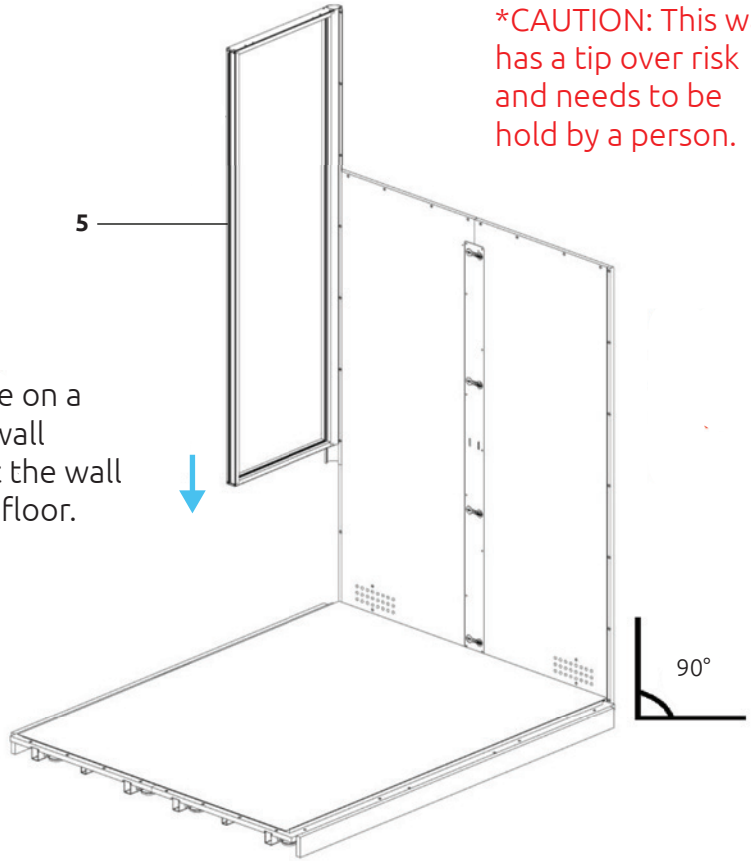
b
8x



13



Hold the glass frame on a higher level of the wall panel, put it against the wall and slide it into the floor.



***CAUTION:** This wall has a tip over risk and needs to be hold by a person.

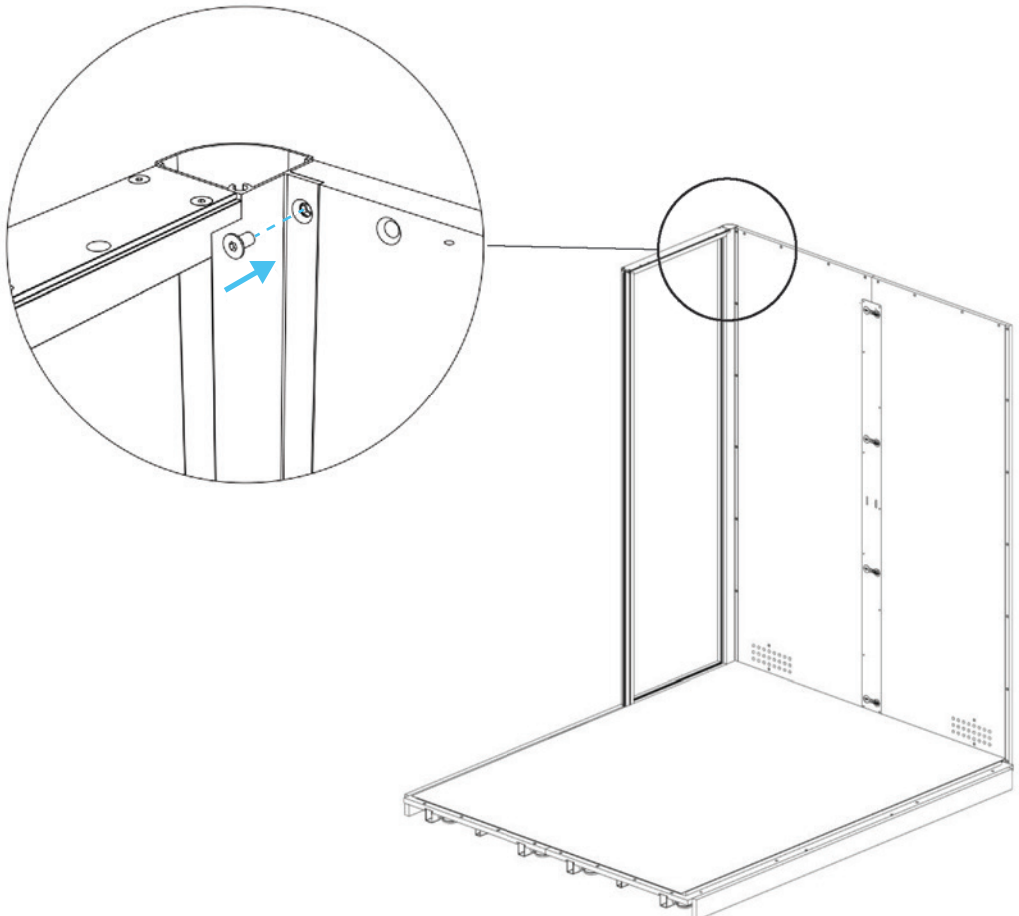
14



power tool



b
7x

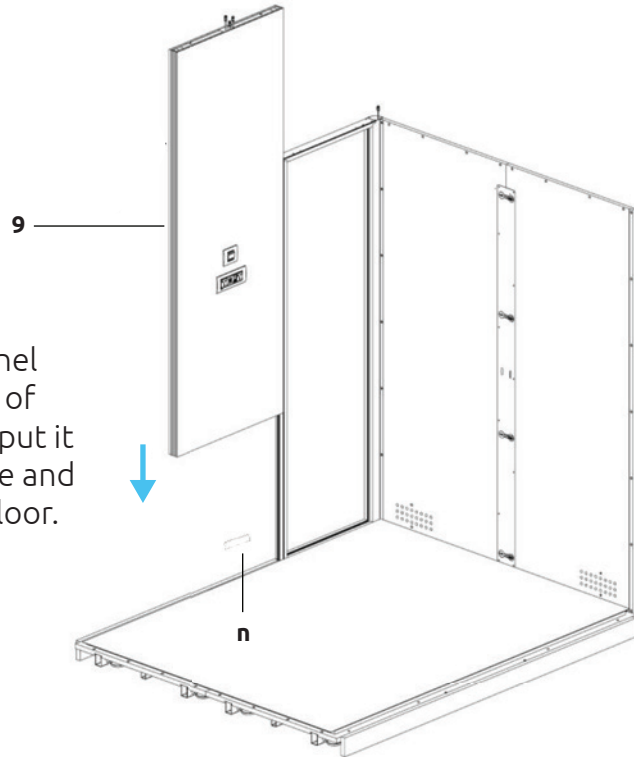


15



n

Hold the wall panel on a higher level of the glass frame, put it against the frame and slide it into the floor.

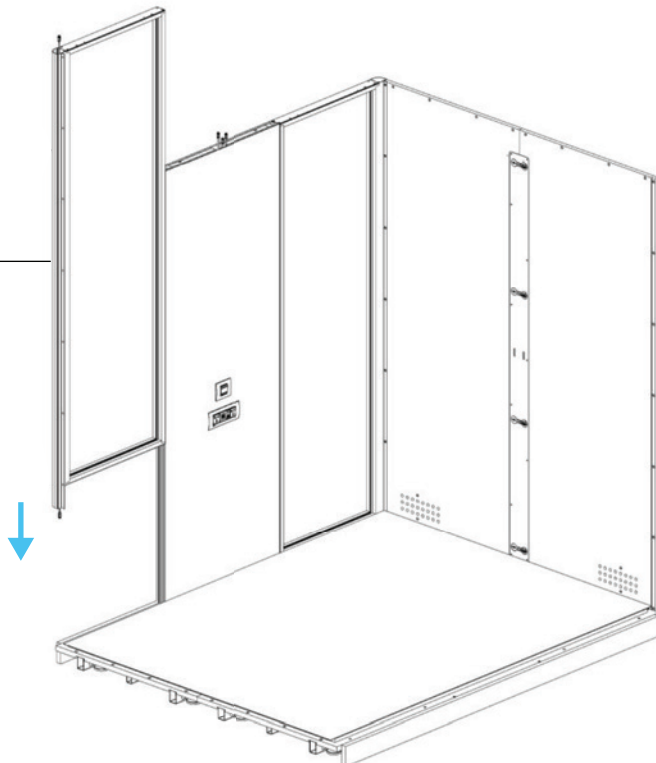


16

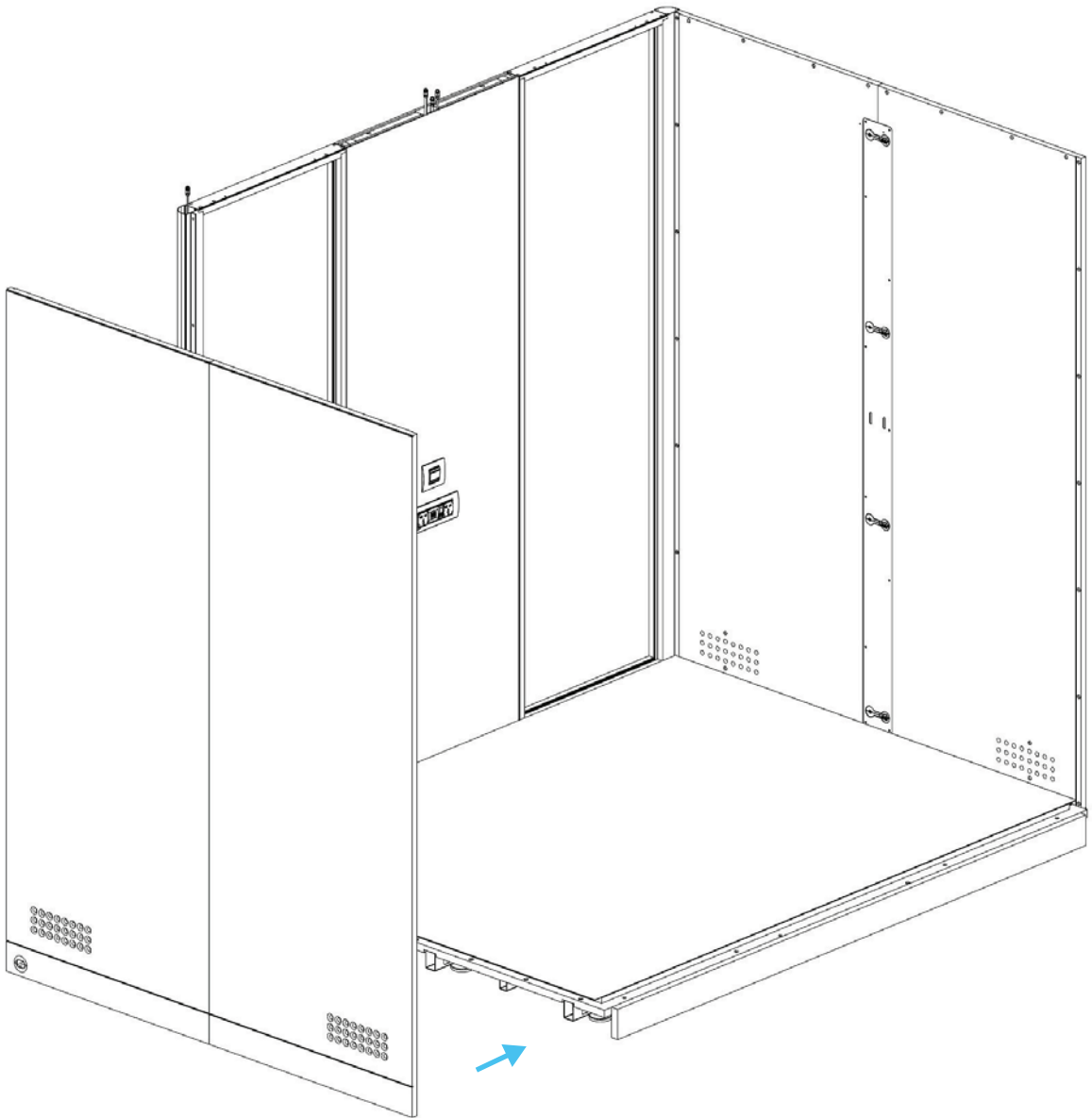


10

Hold the glass frame on a higher level of the wall panel, put it against the wall and slide it into the floor.



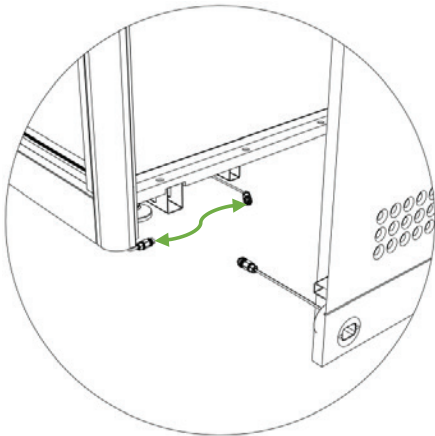
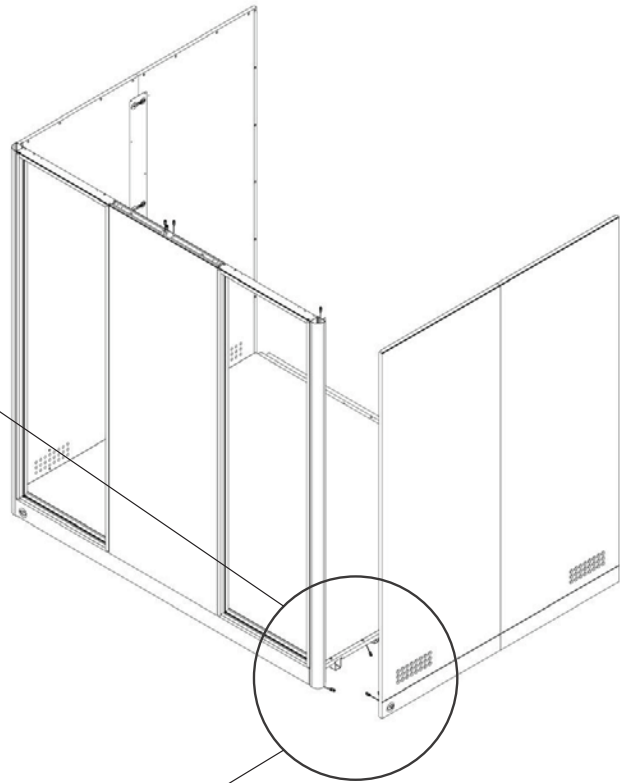
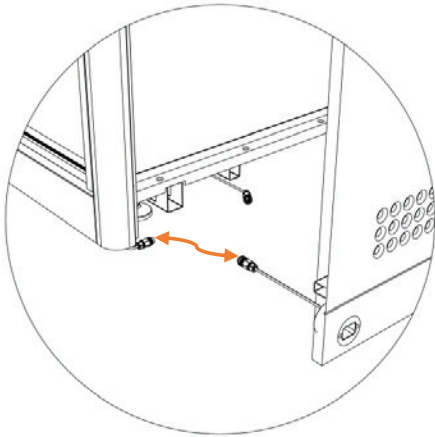
17



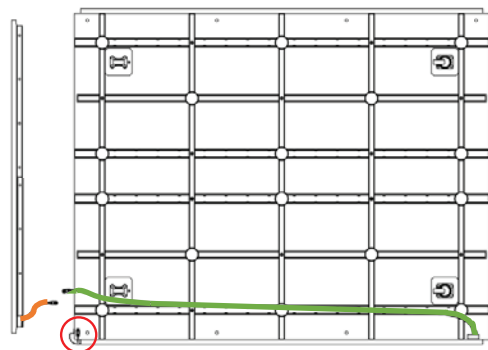
18

* Decision of the energy location has to be made at this level.

Option 1: Left side



Option 2: Right back side

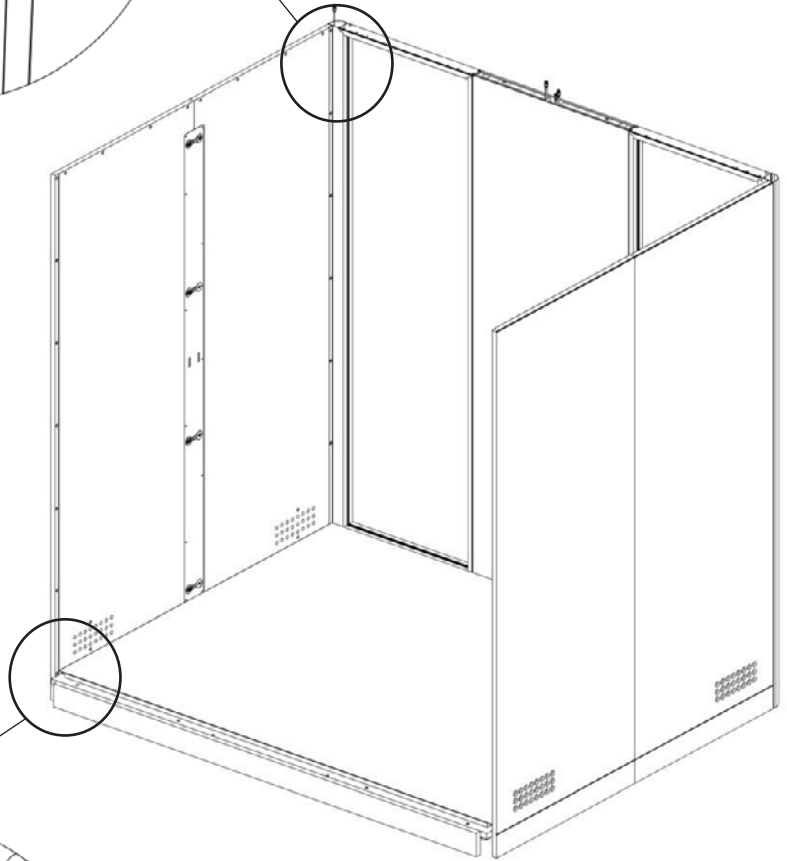
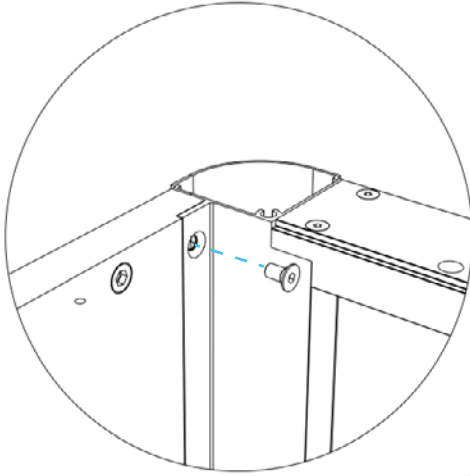
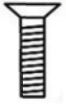


19

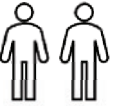


power tool

a
7x

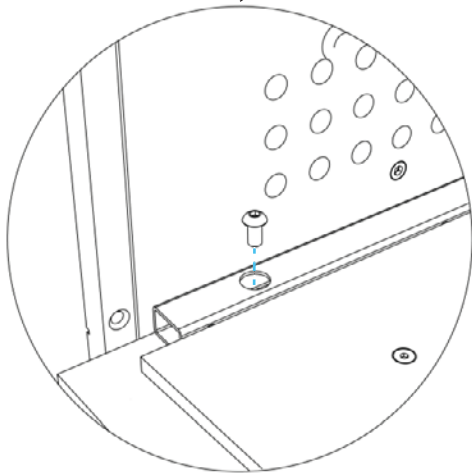


20

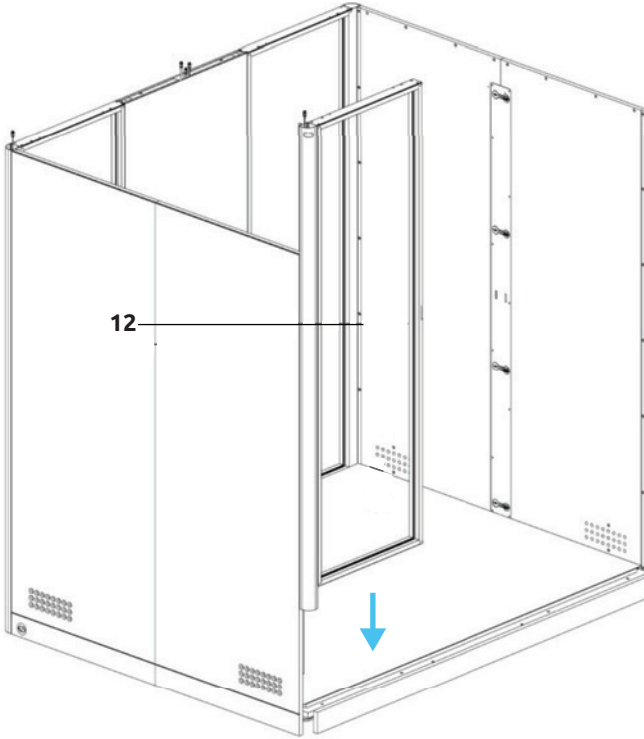


power tool

b
8x



21

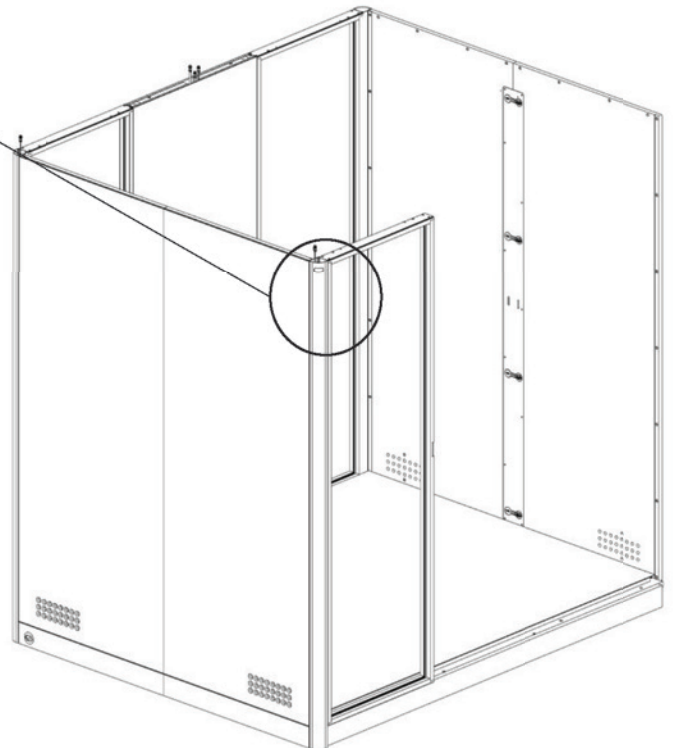
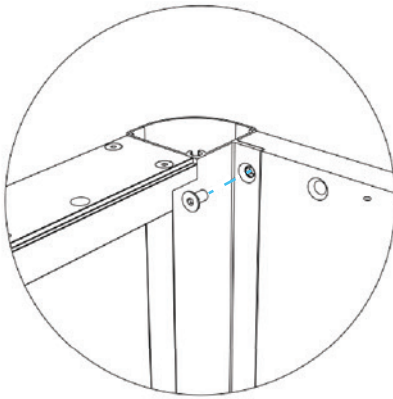


Hold the glass frame on a higher level of the wall panel, put it against the wall and slide it into the floor.

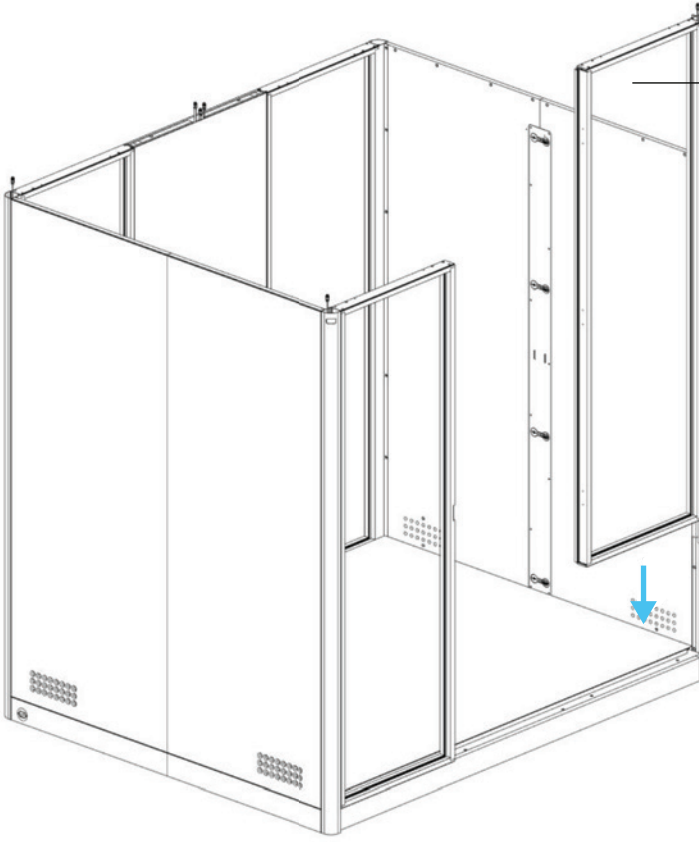
22



power tool



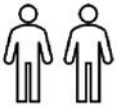
23



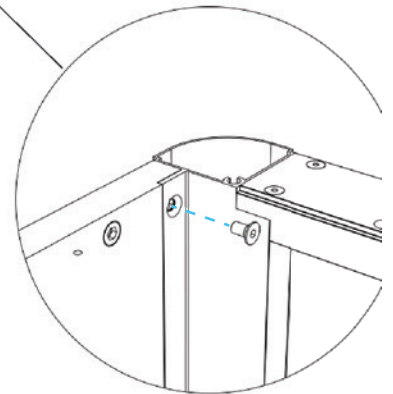
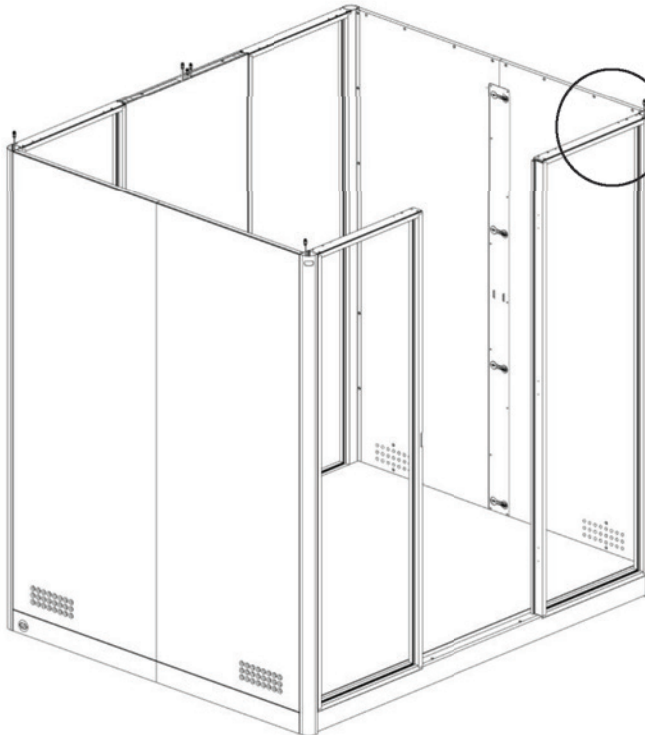
13

Hold the glass frame on a higher level of the wall panel, put it against the wall and slide it into the floor.

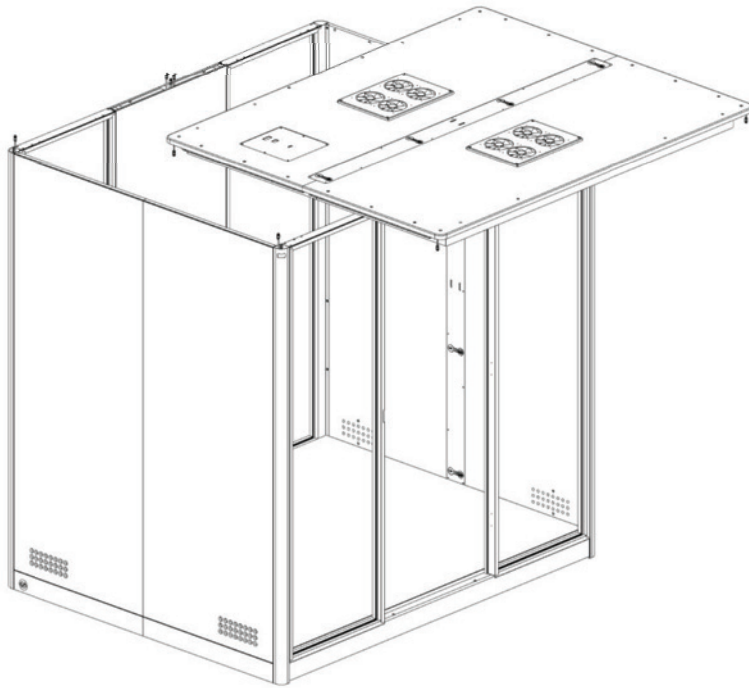
24



power tool



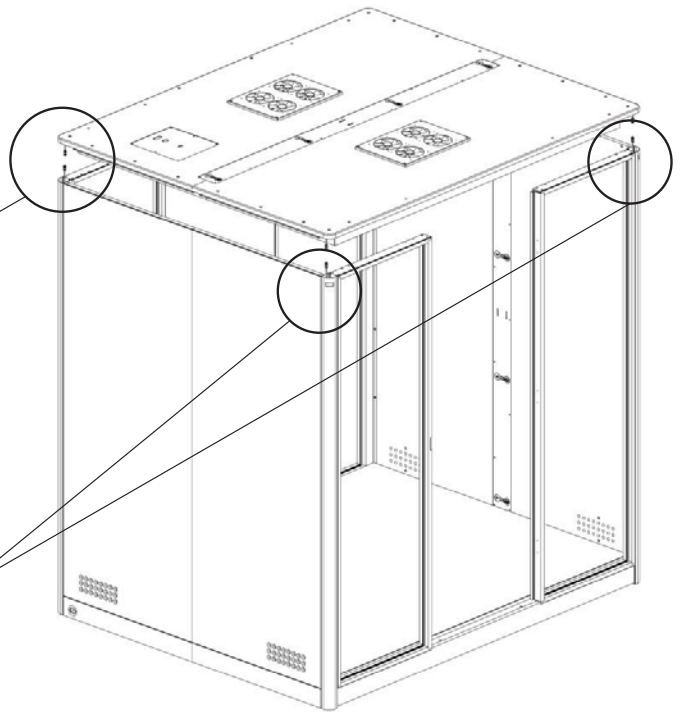
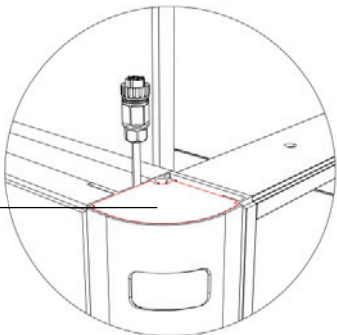
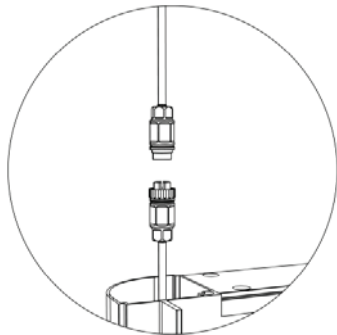
25



26



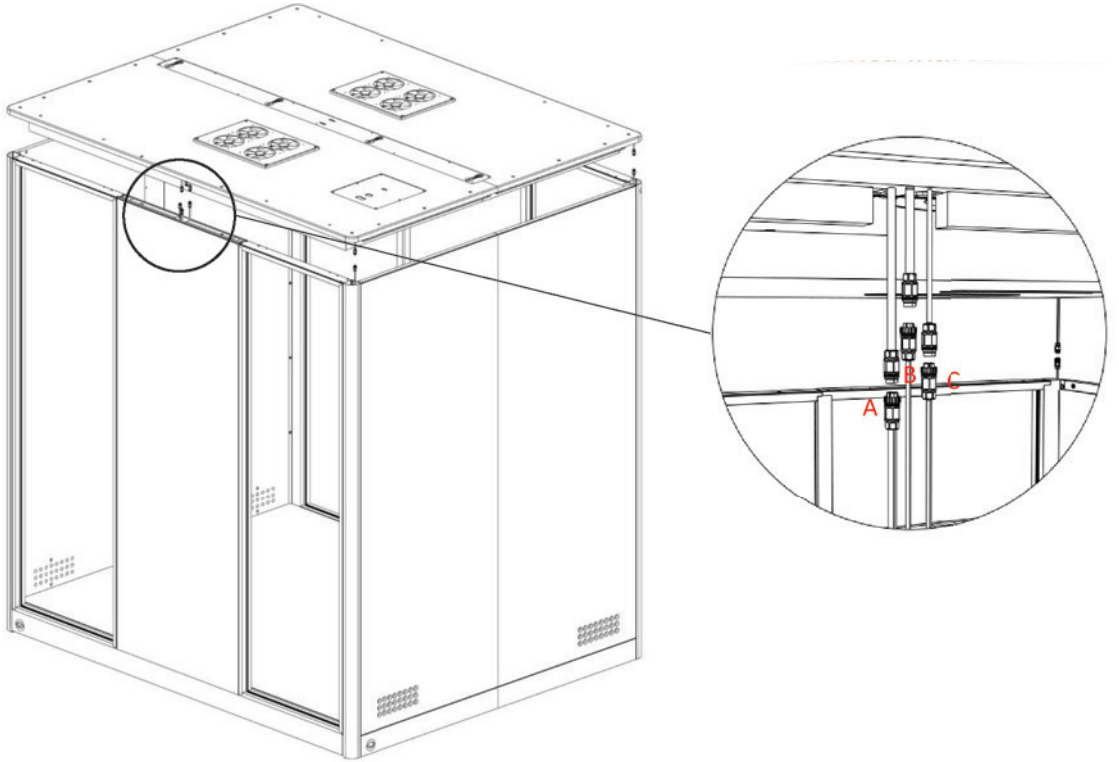
o
2x



* Put the piece of foam in the profile after the wiring connection.

27

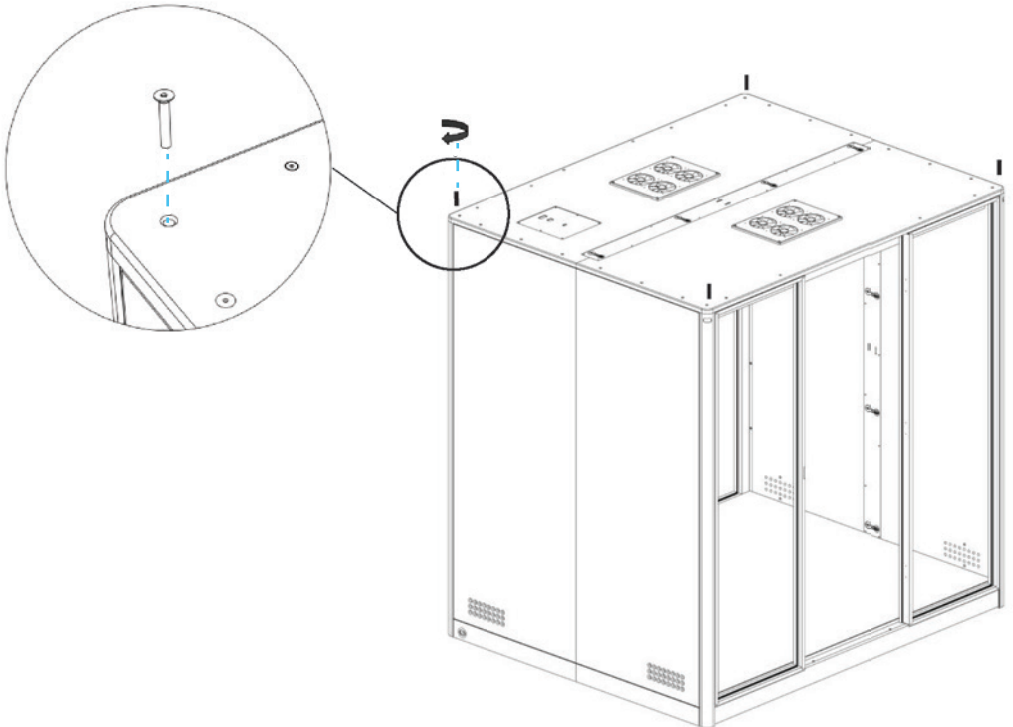
Wiring with the same labels to be connected with each other.



28



power tool



d
4x

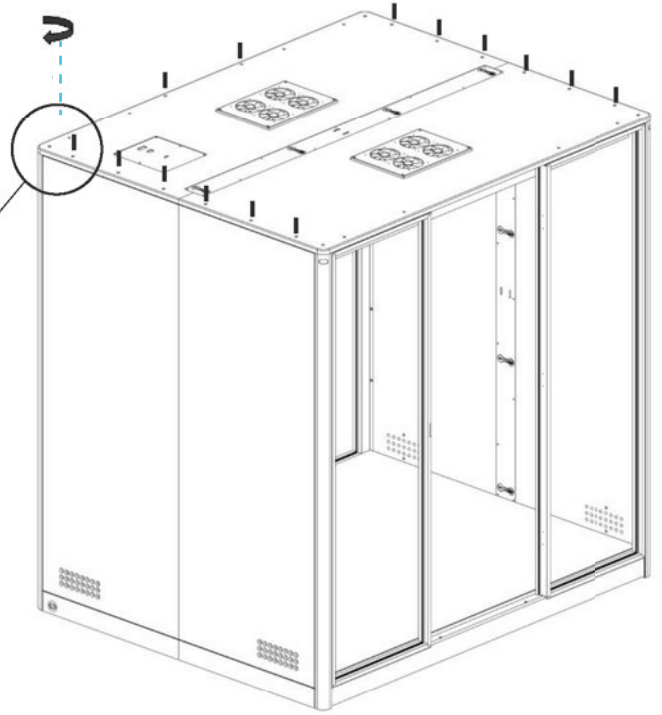
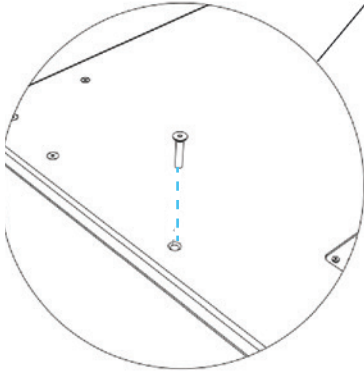
29



power tool



e
14x



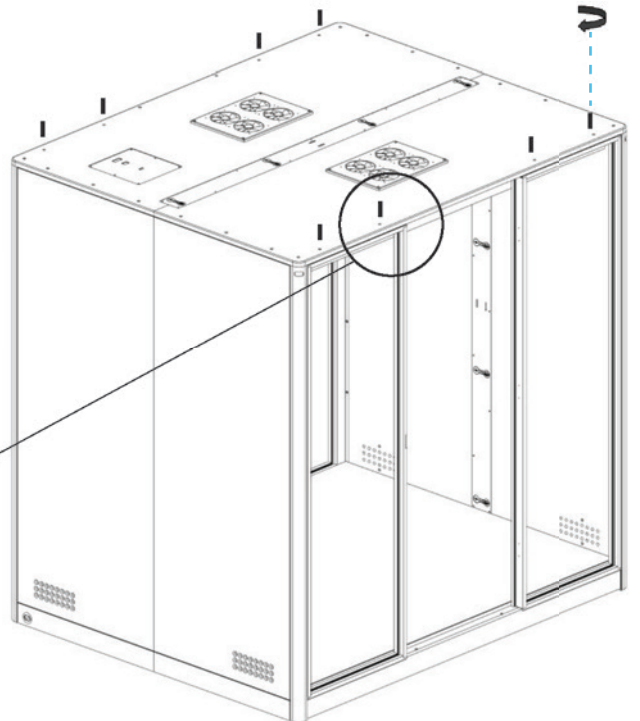
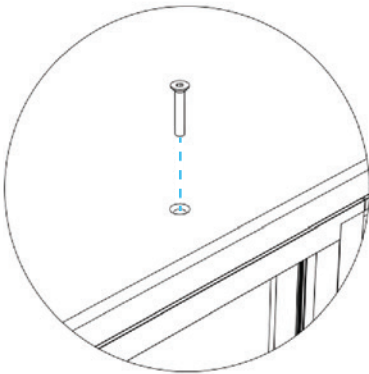
30



power tool



f
8x



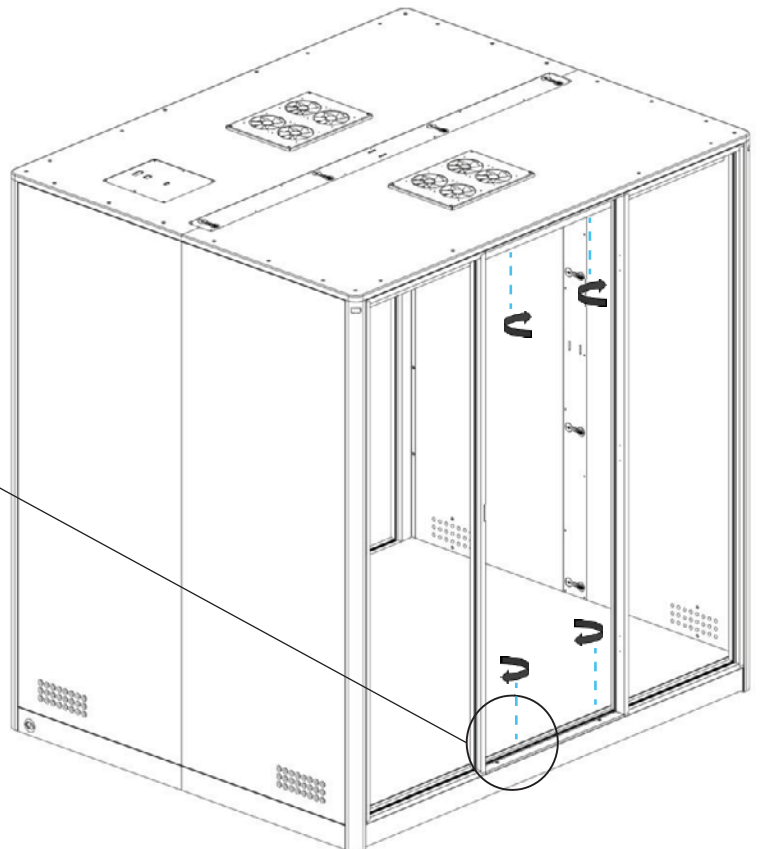
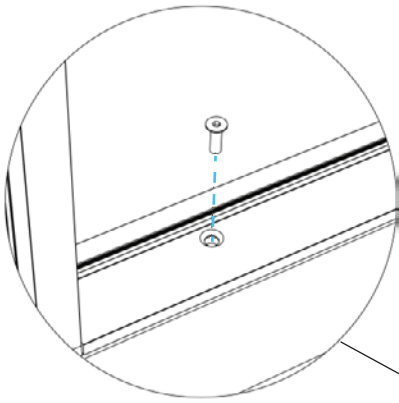
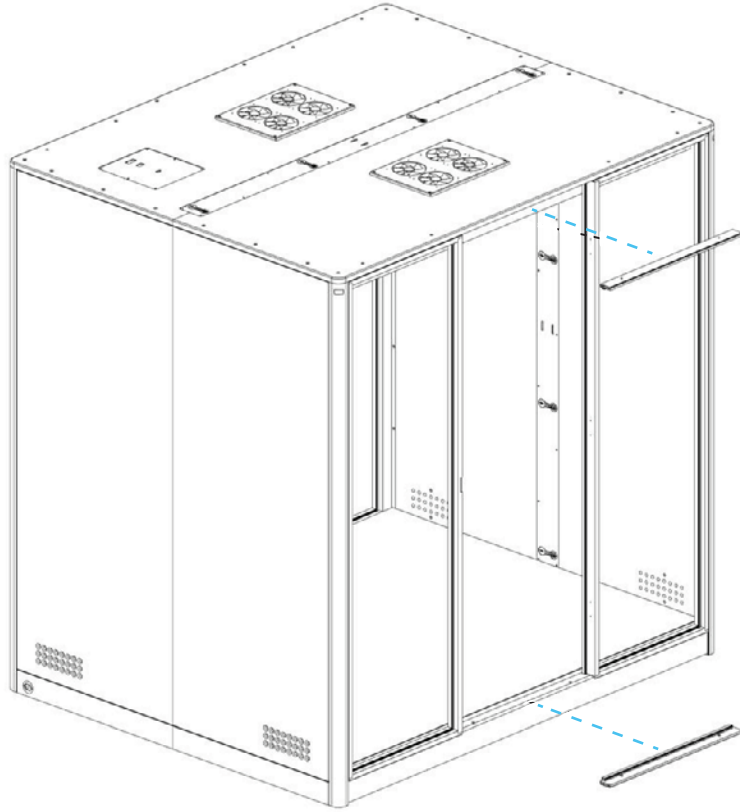
31



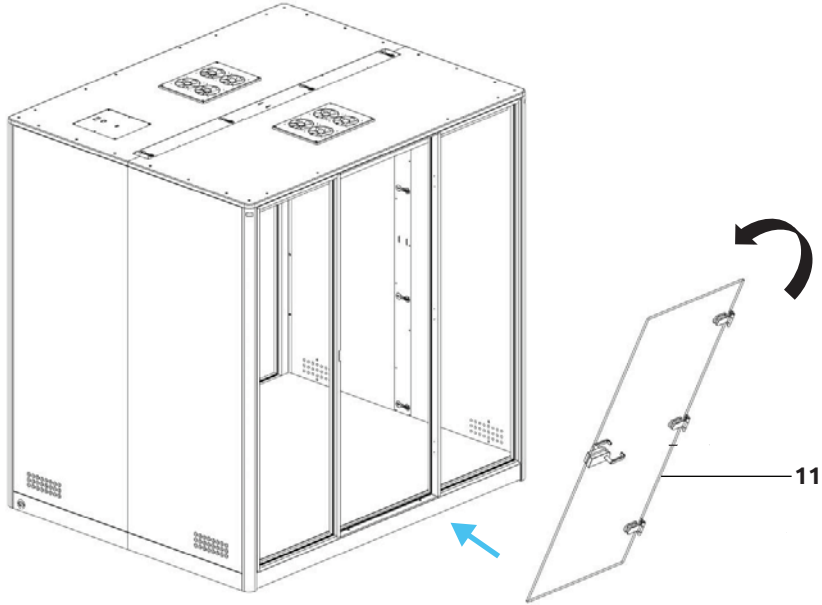
power tool



h
4x



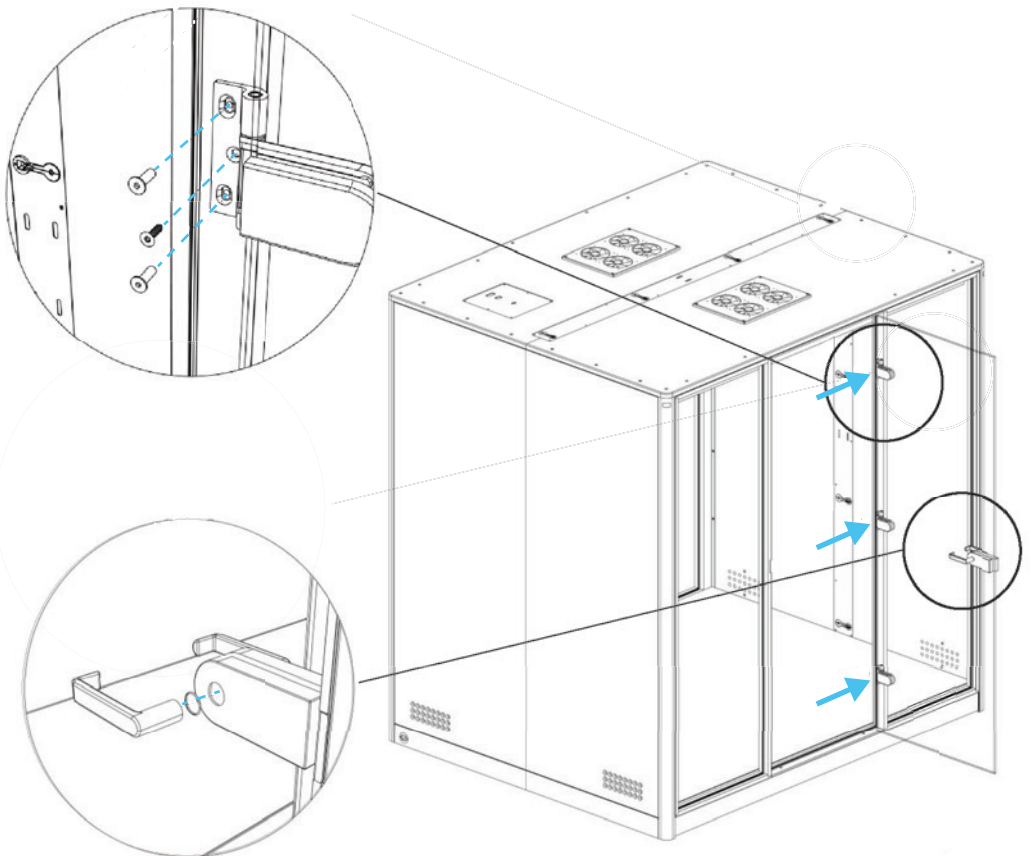
32



33



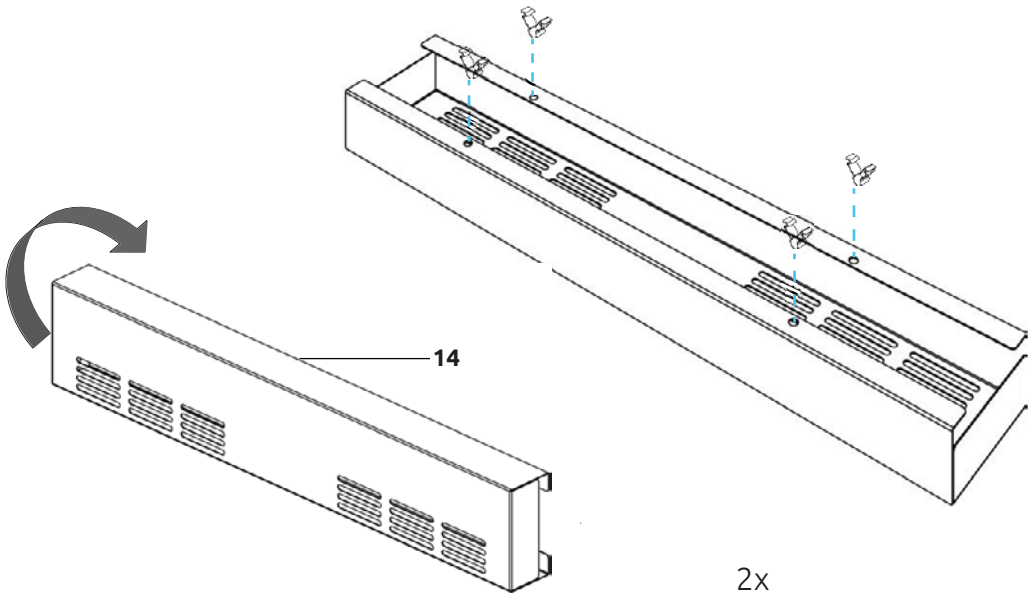
power tool



34



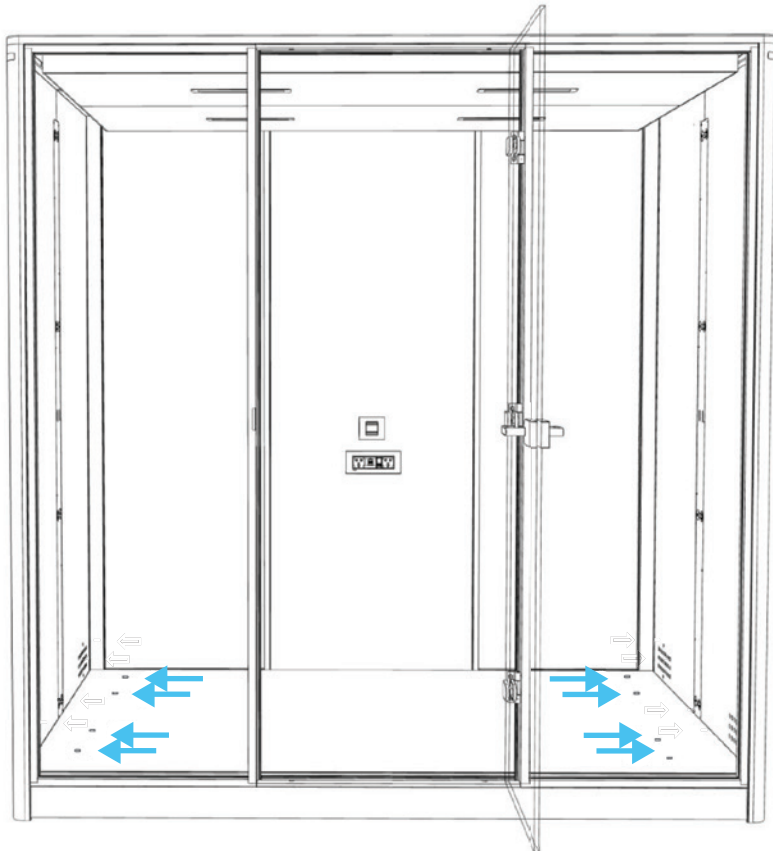
s
8x



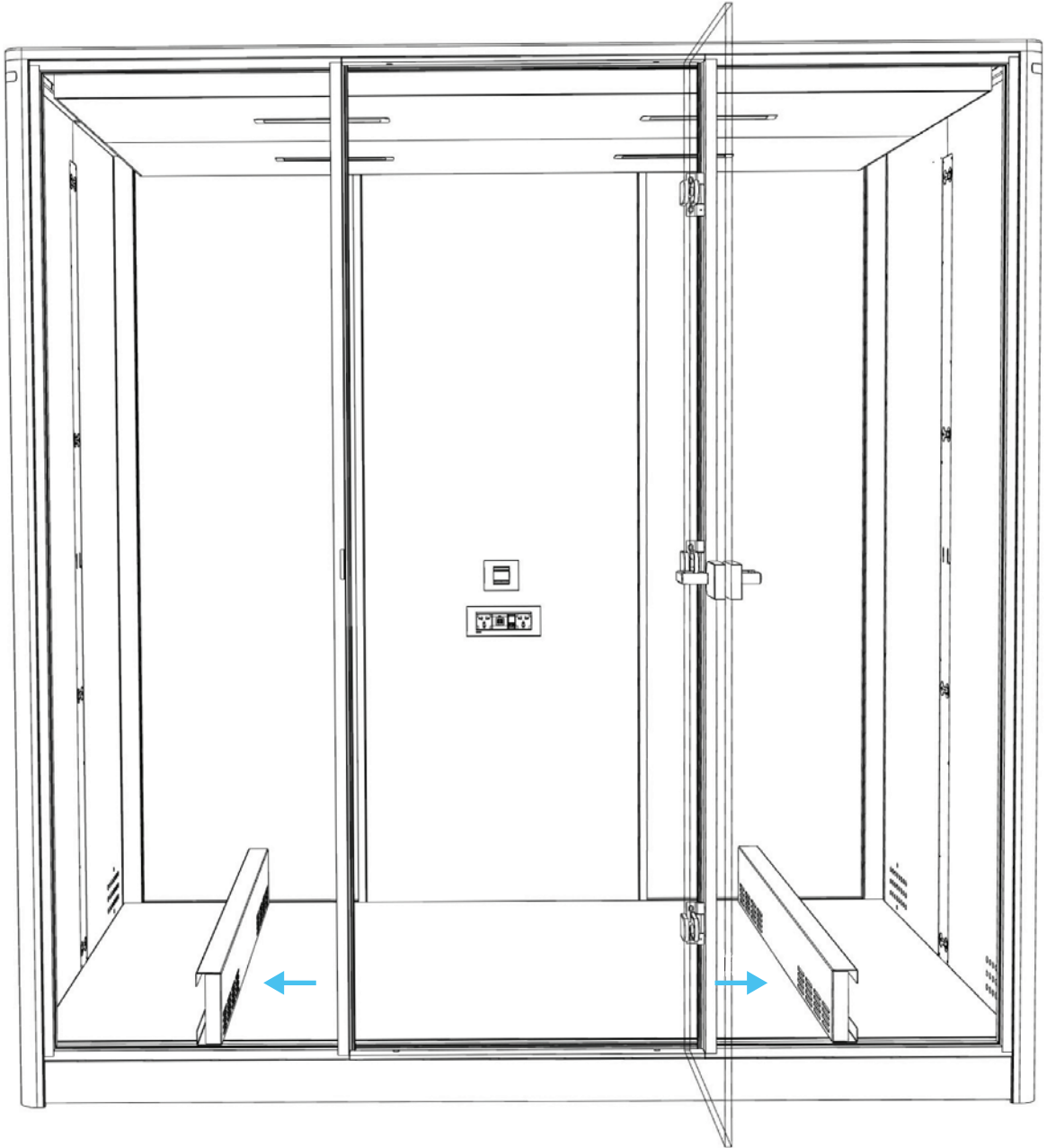
35



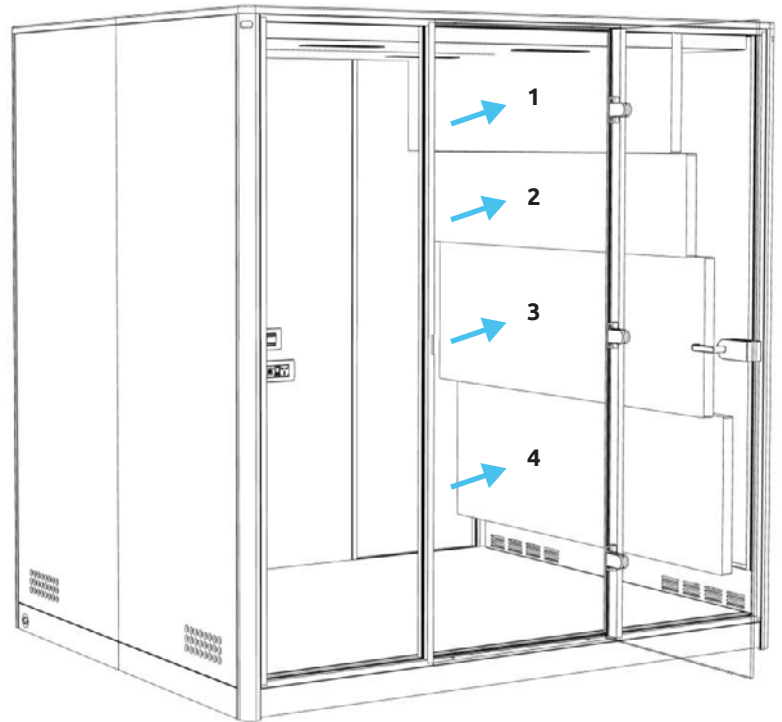
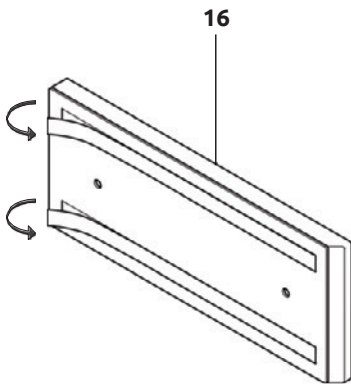
t
8x



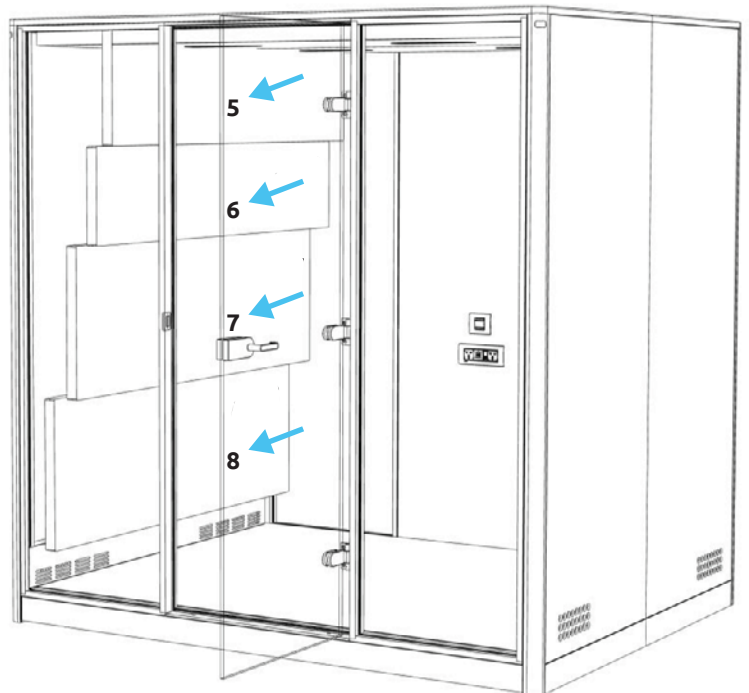
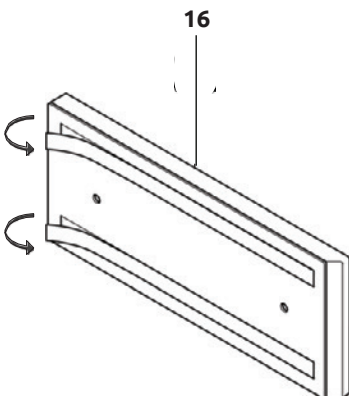
36



37



38



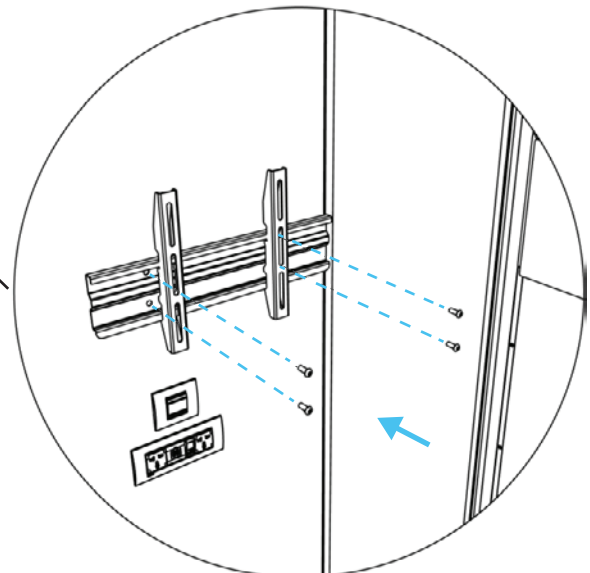
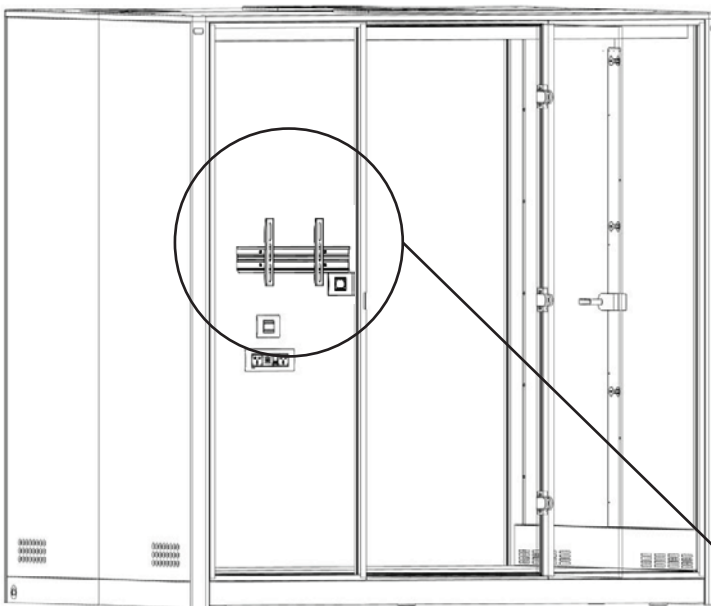
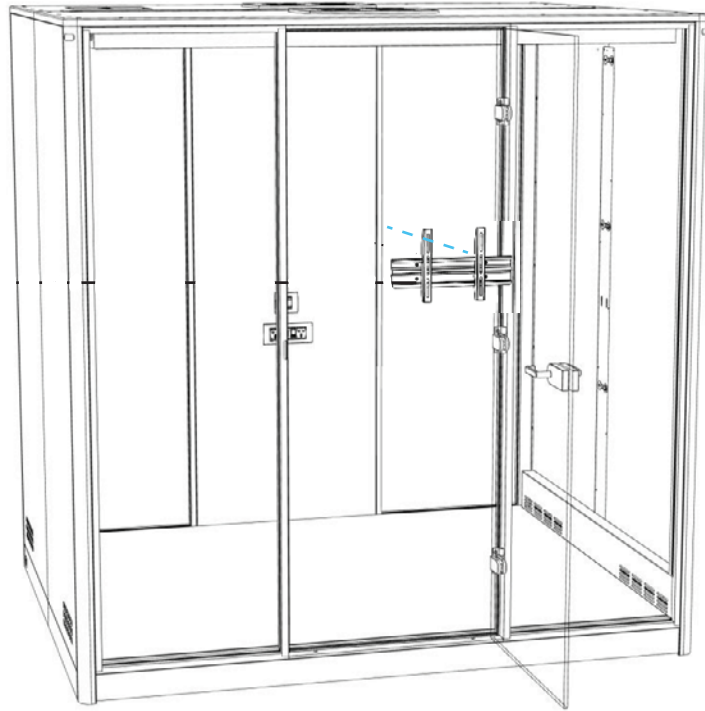
SCREEN HOLDER ASSEMBLY *optional



power tool

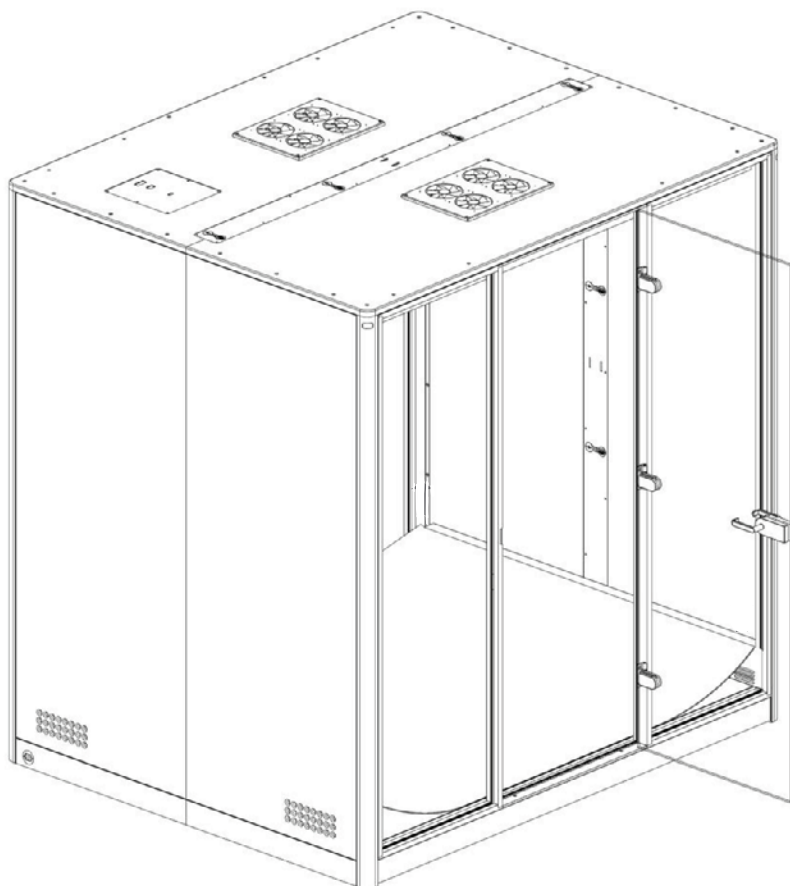


j
4x



CHANGE LOCATION APOD

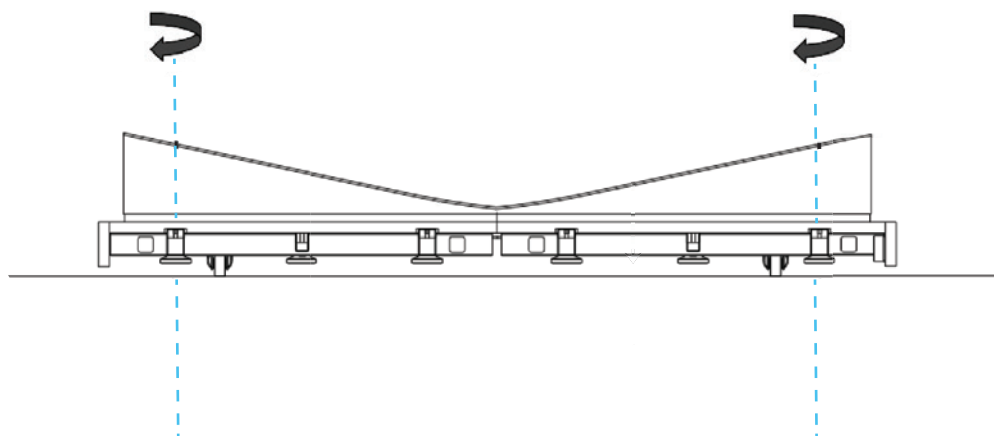
1



2



allen key
(4 mm)



3

* Please change the Apod location before Seat and table installation.

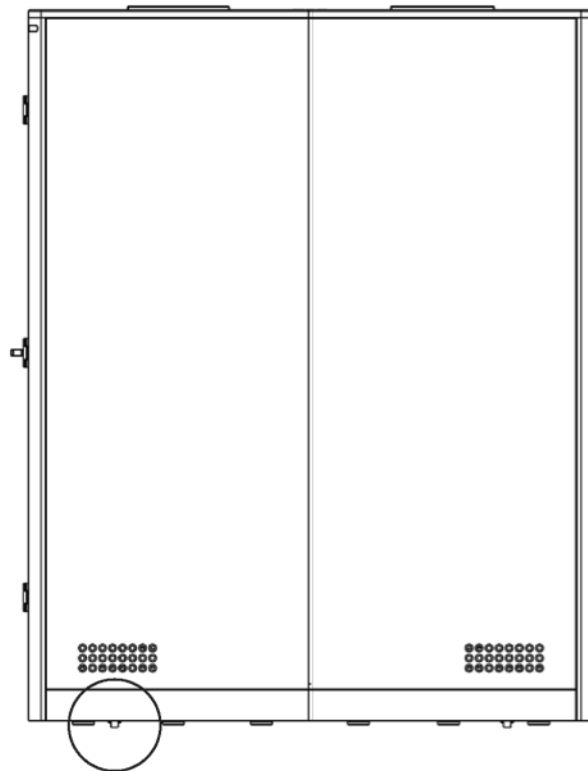
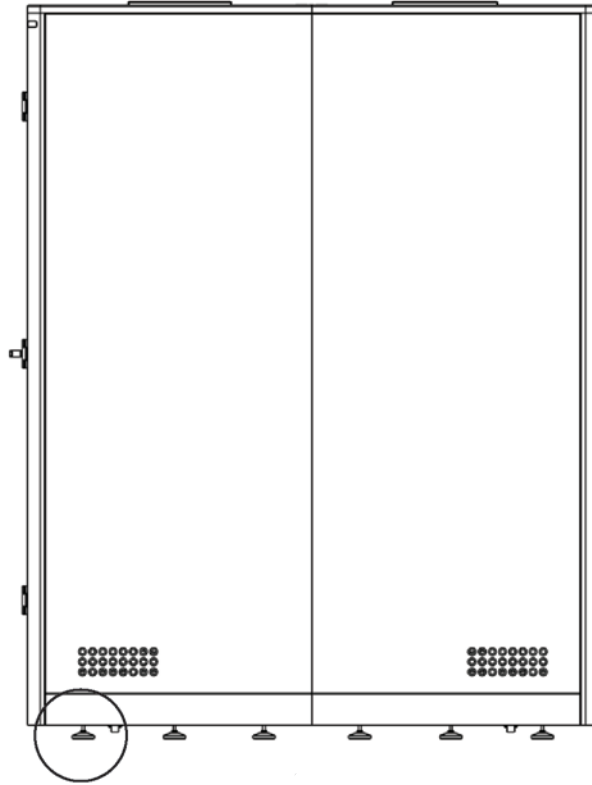


TABLE INSTALLATION

1



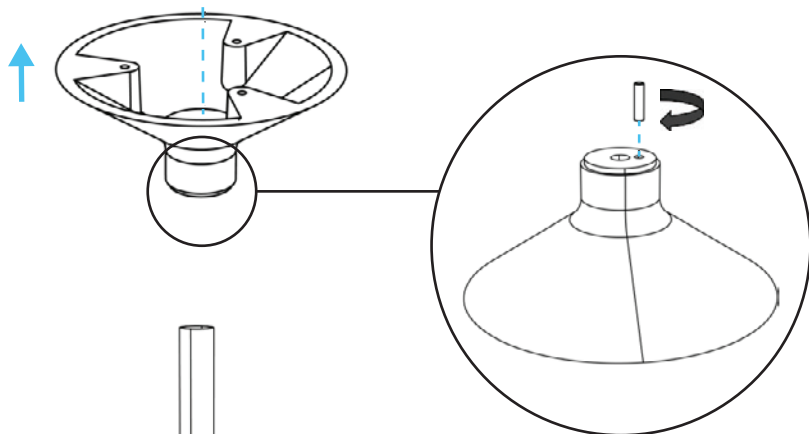
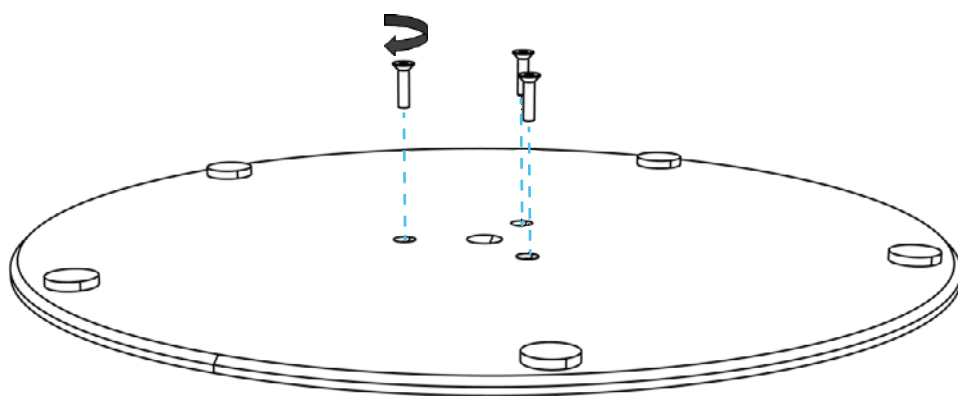
allen key



w
6x



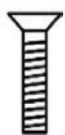
z
2x



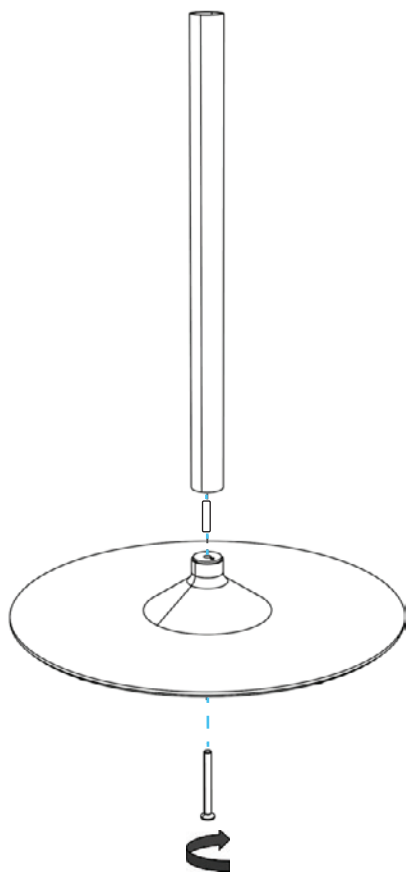
2



allen key



x
2x



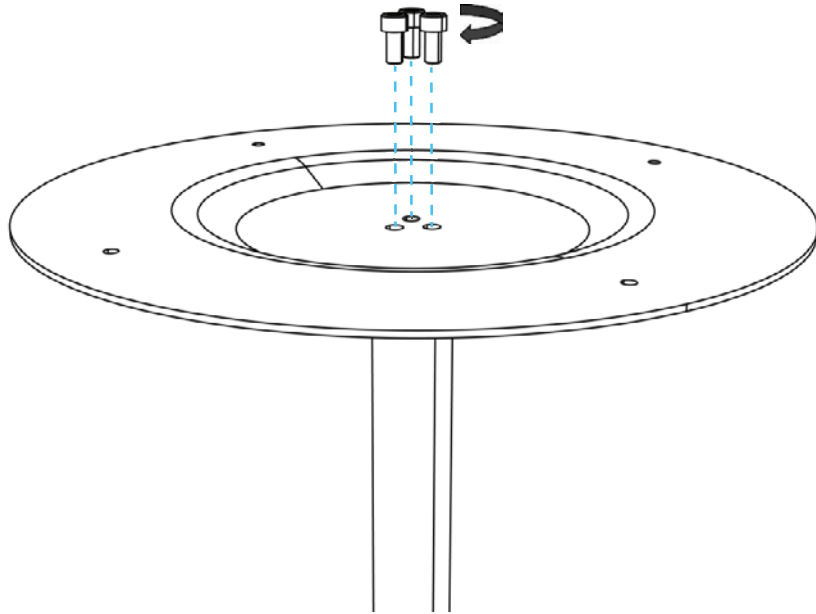
3



allen key



y
6x



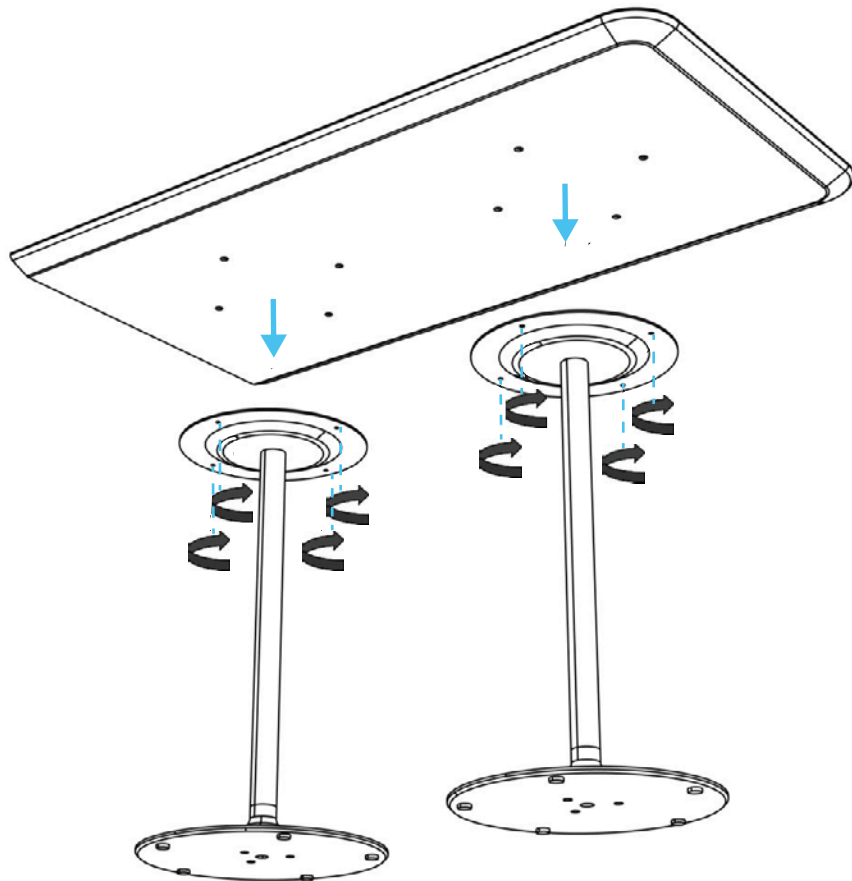
4



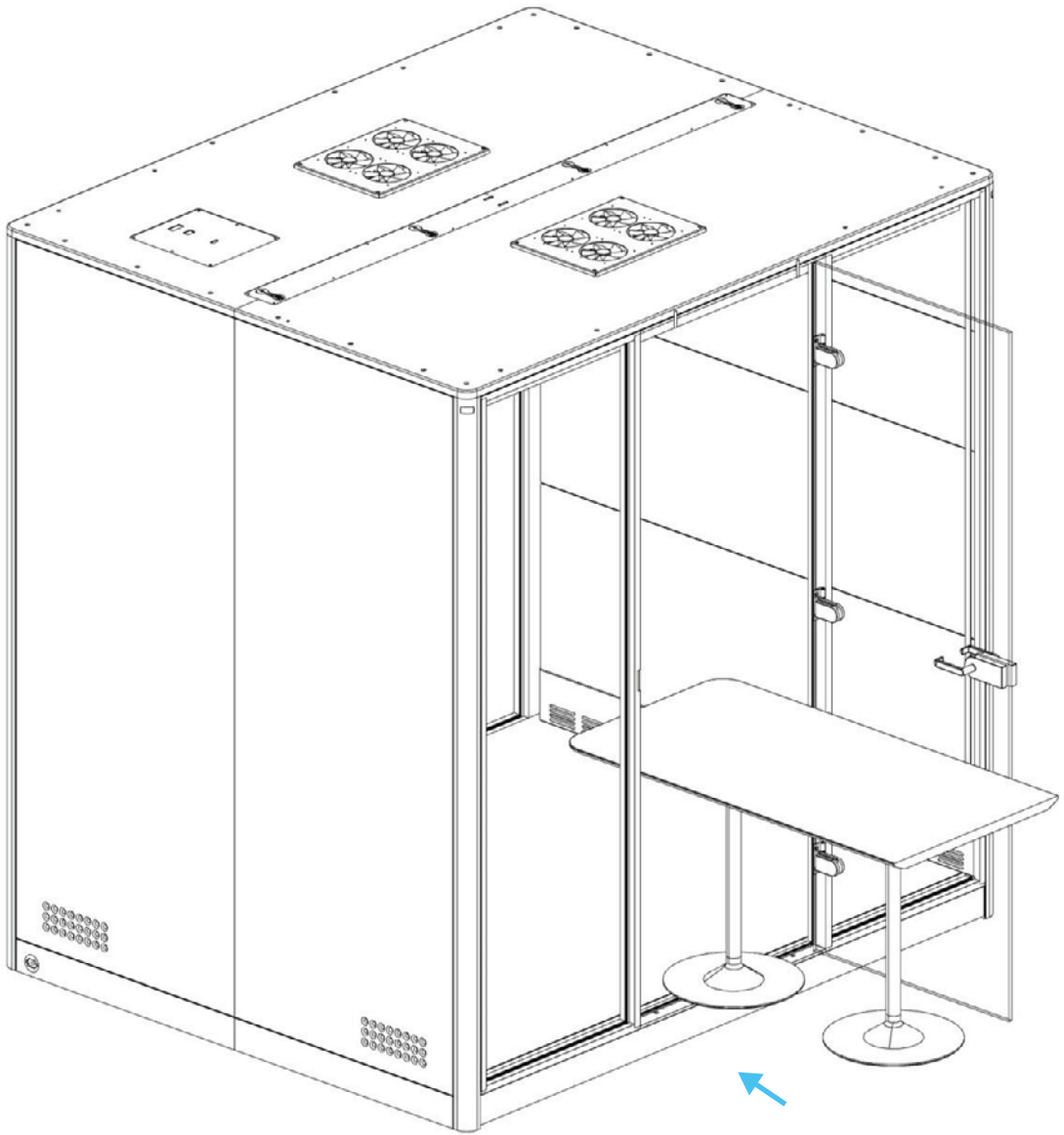
allen key



v
8x

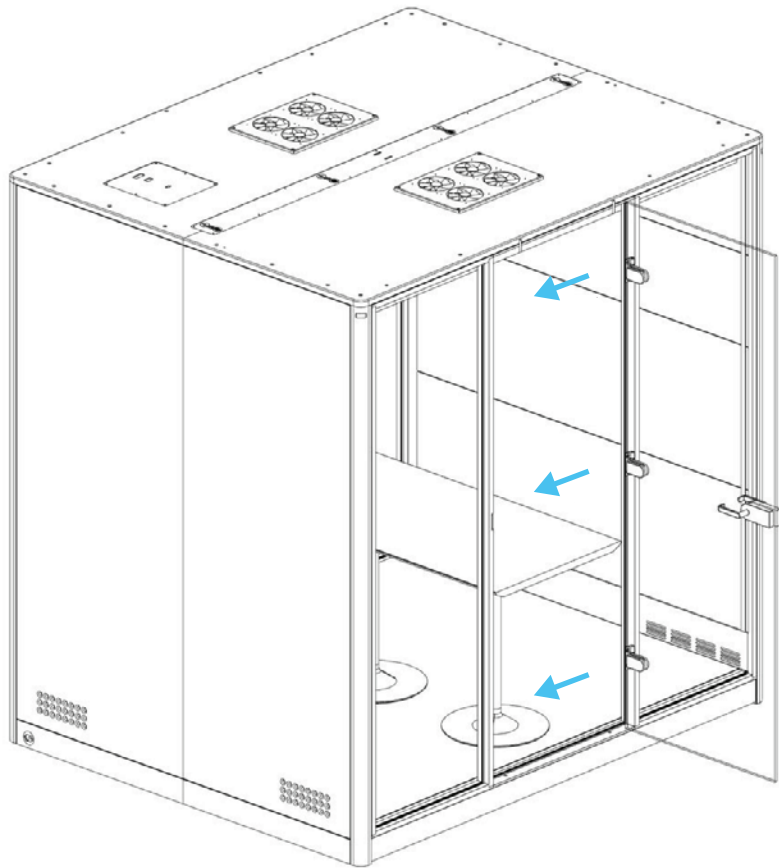


5

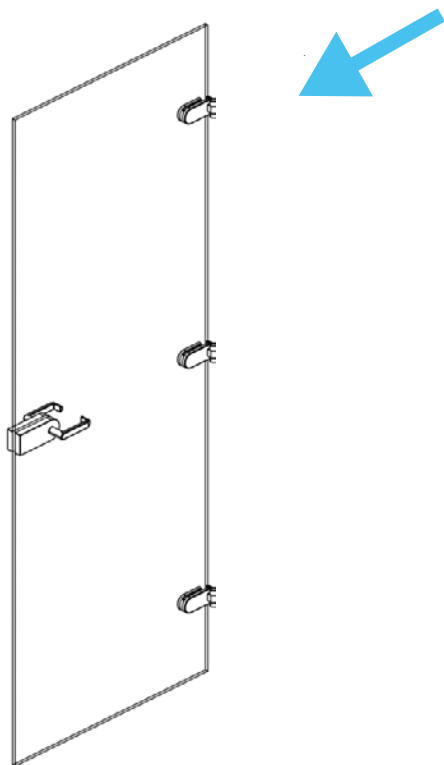


IN CASE YOU NEED TO ADJUST HINGES

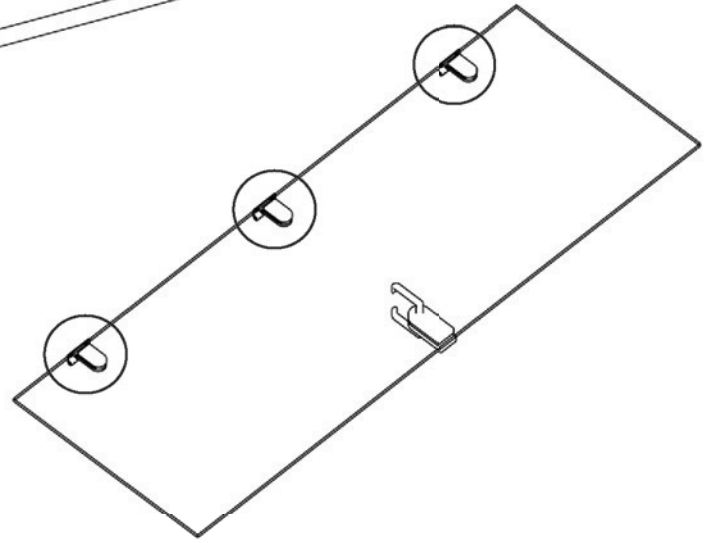
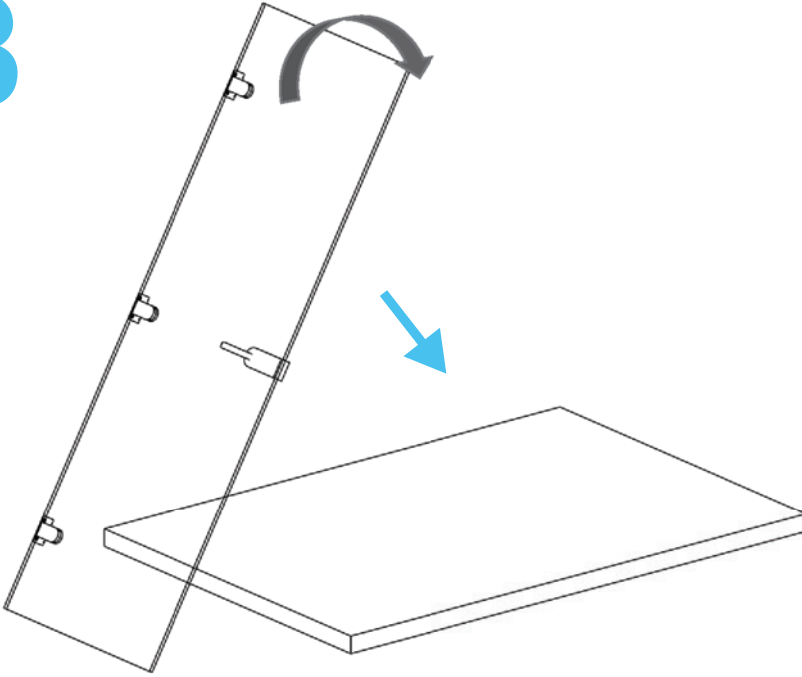
1



2



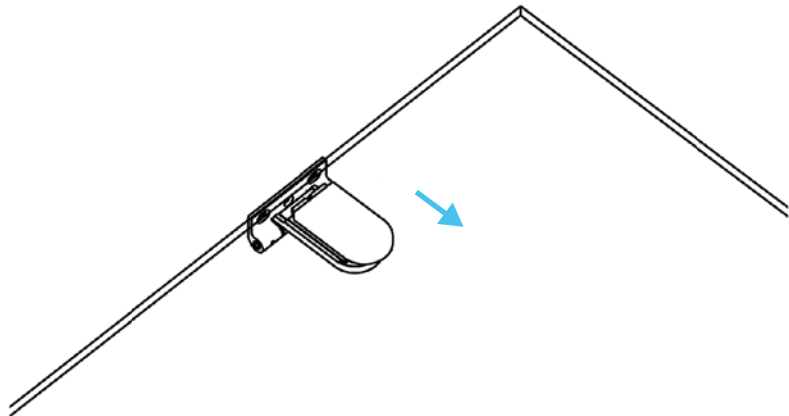
3



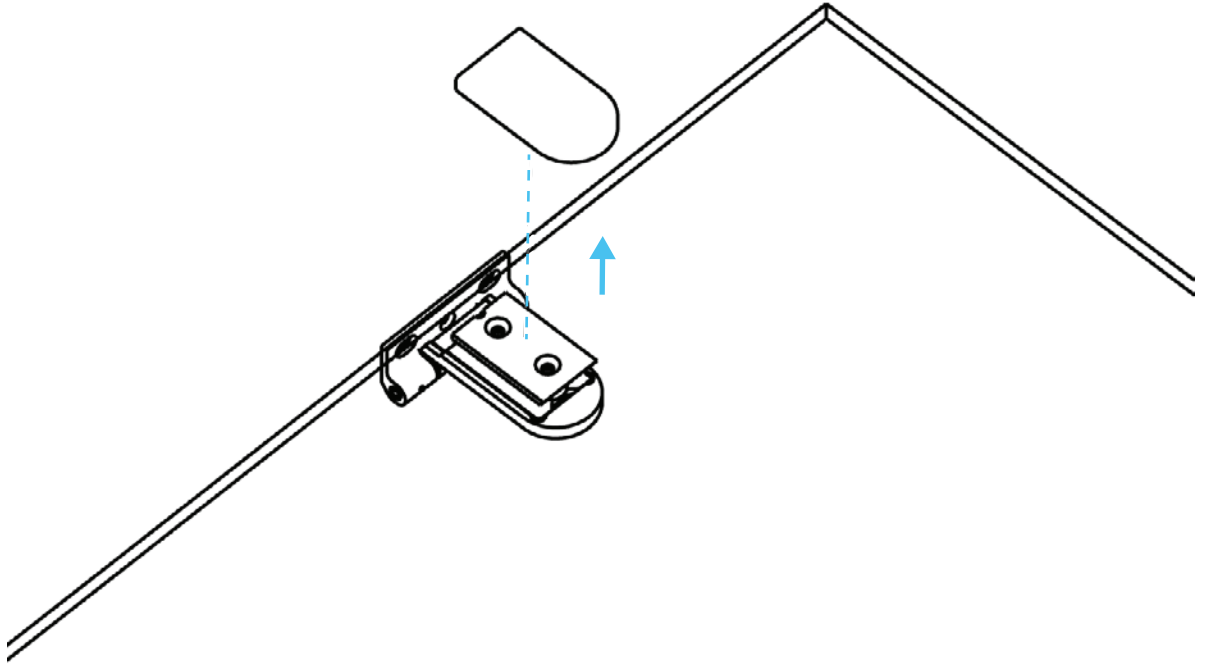
4



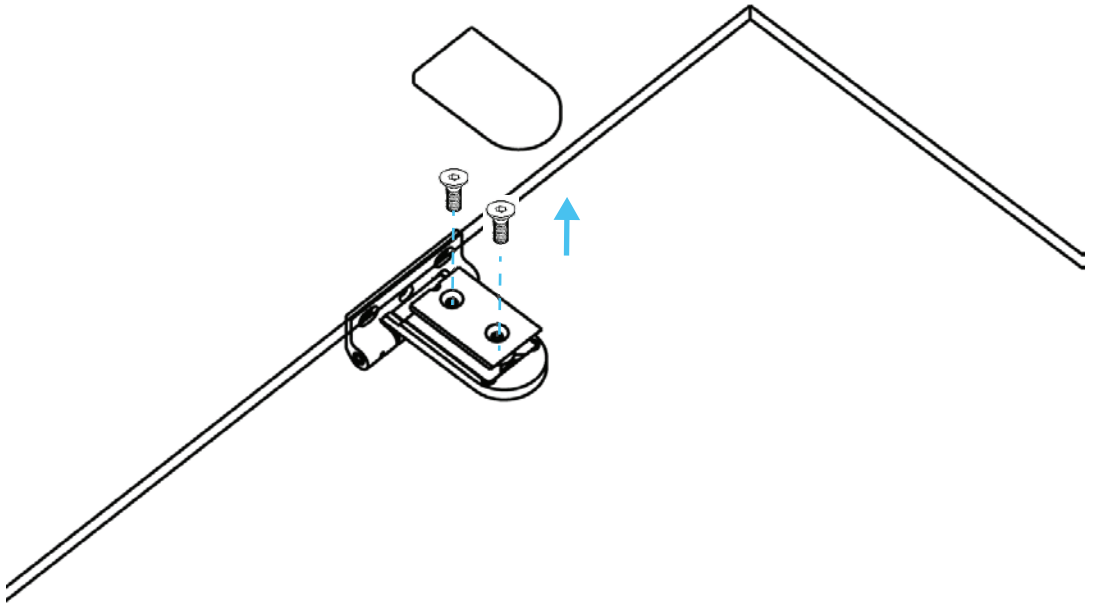
allen key
(1 mm)



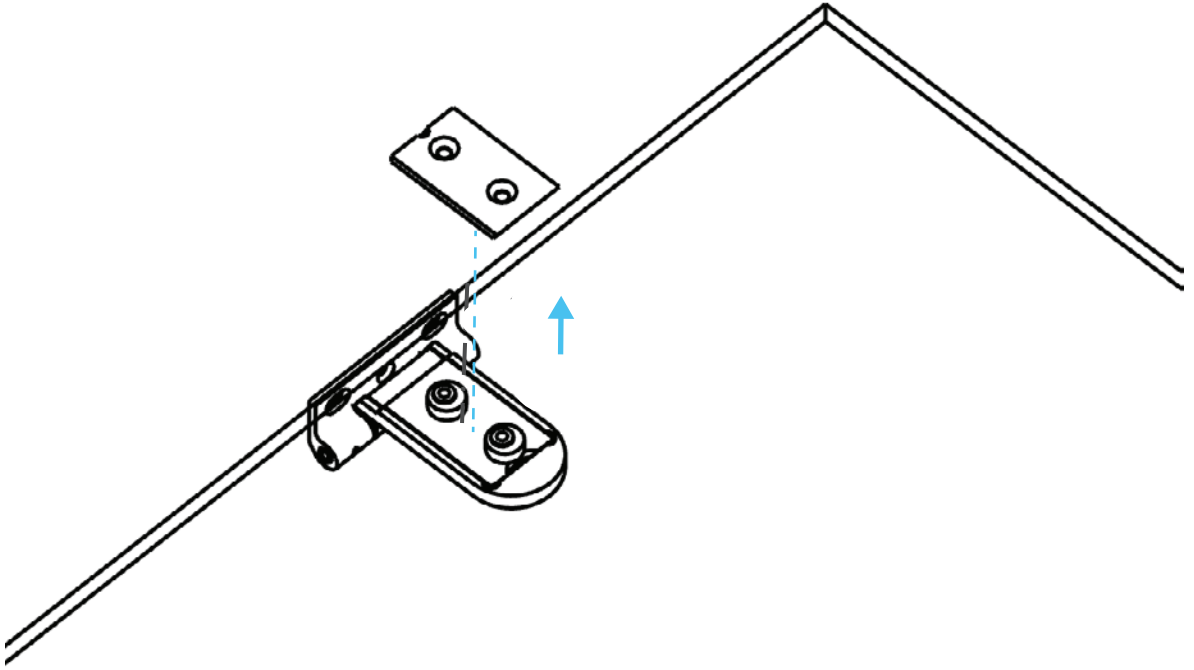
5



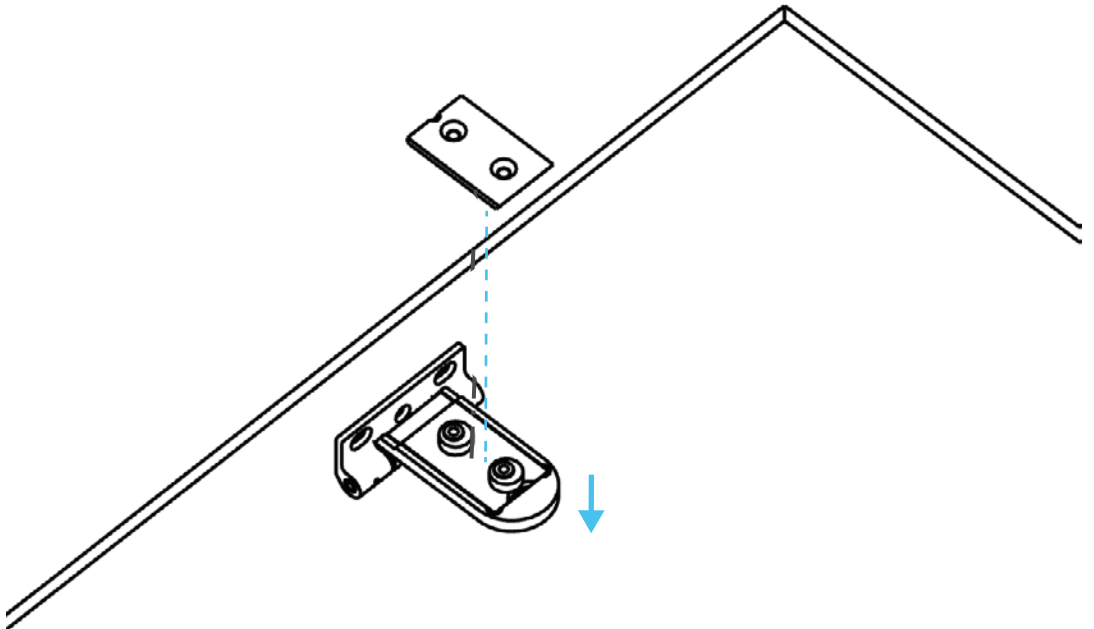
6



7

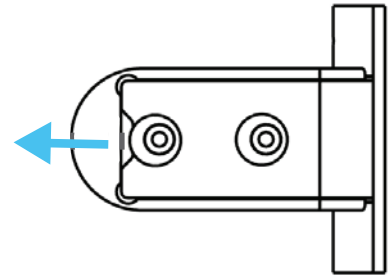
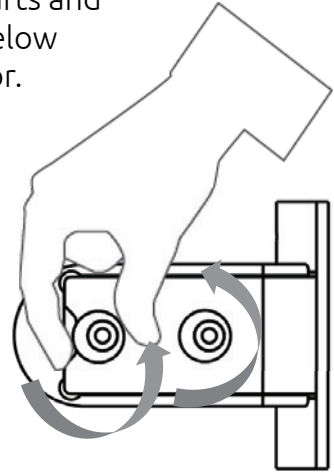
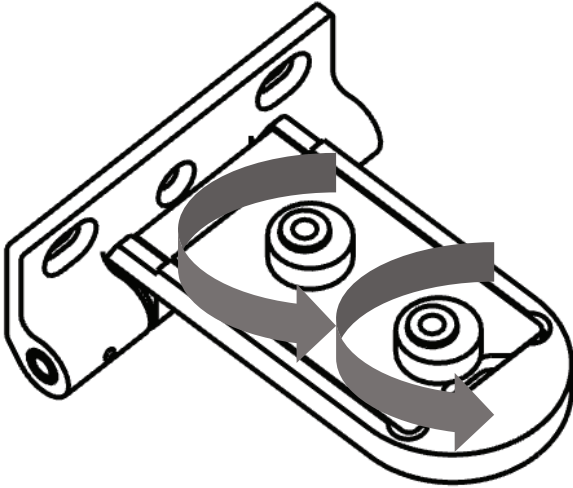


8

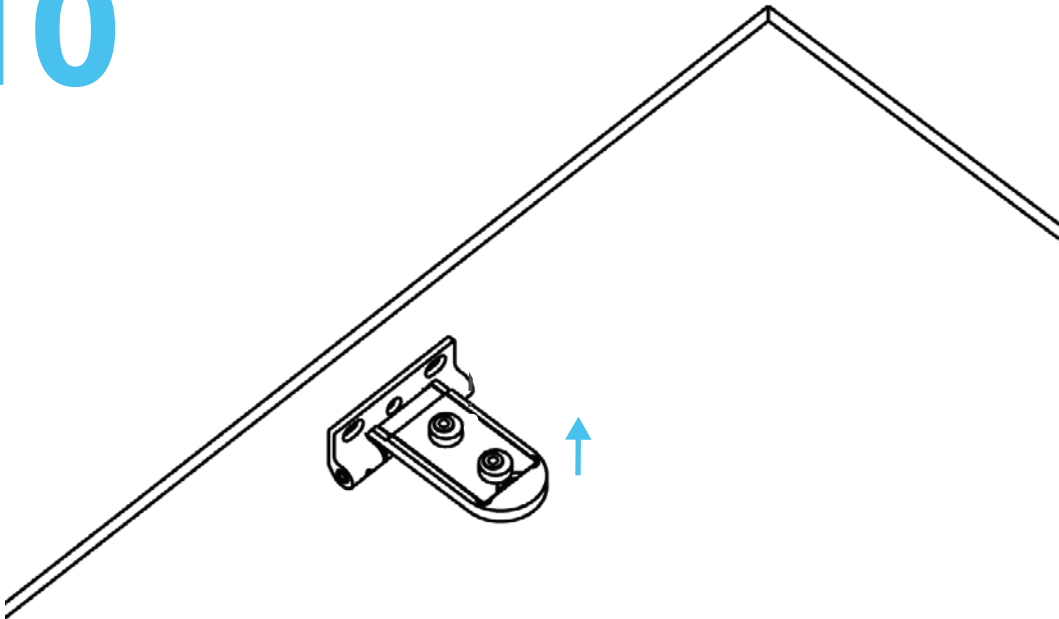


9

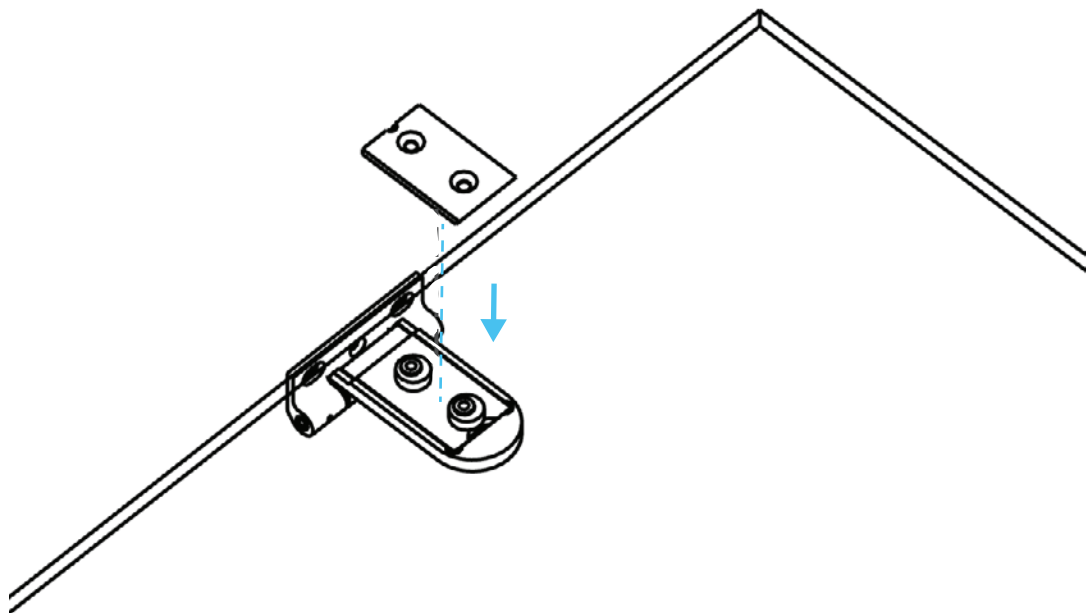
To adjust the hinges rotate the thick parts and make sure the final position is as per below image. Do this for all hinges on the door.



10



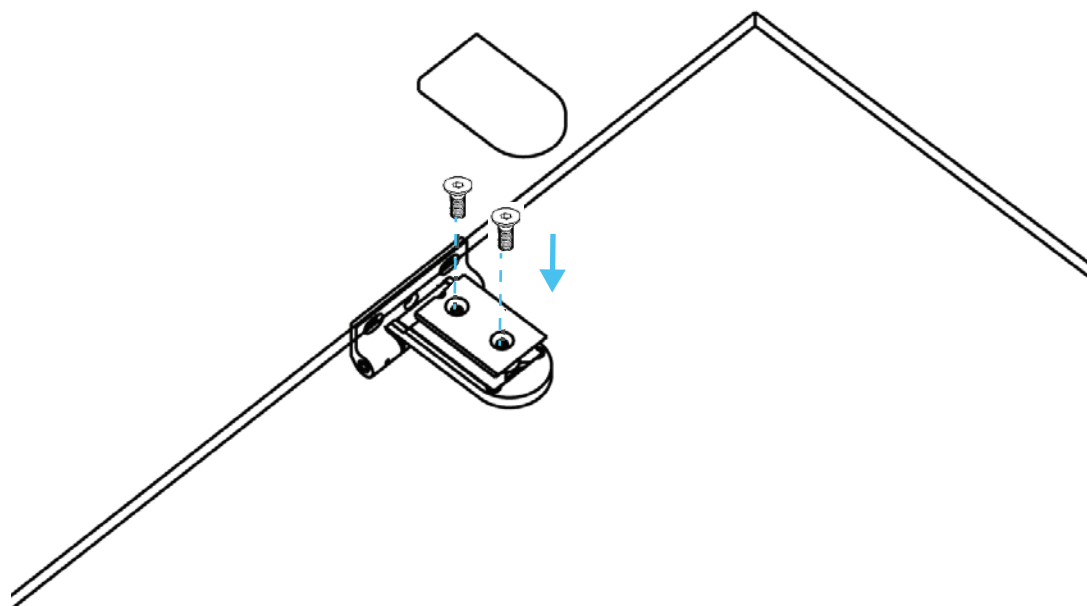
11



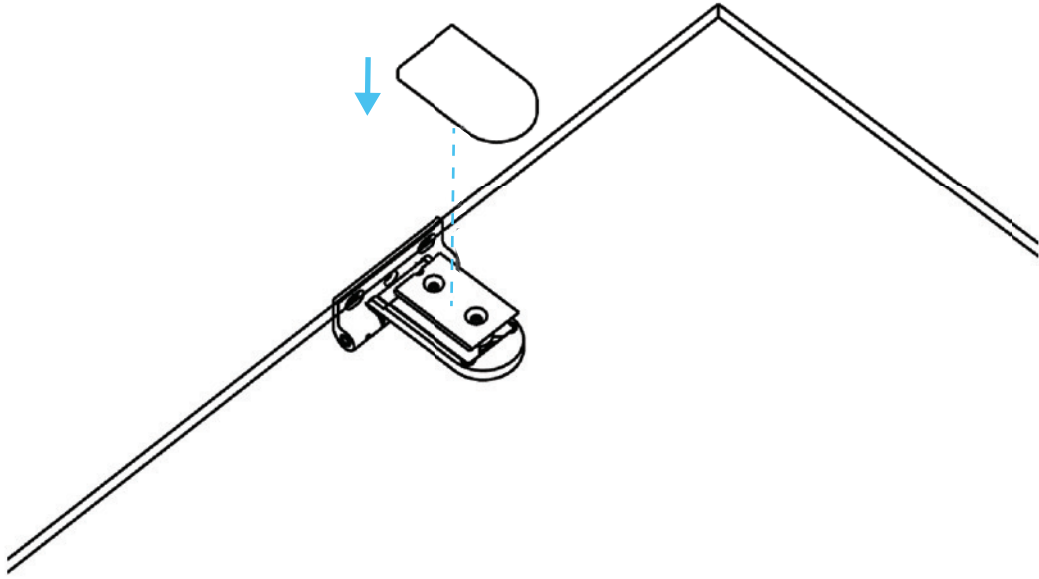
12



allen key
(2,5 mm)



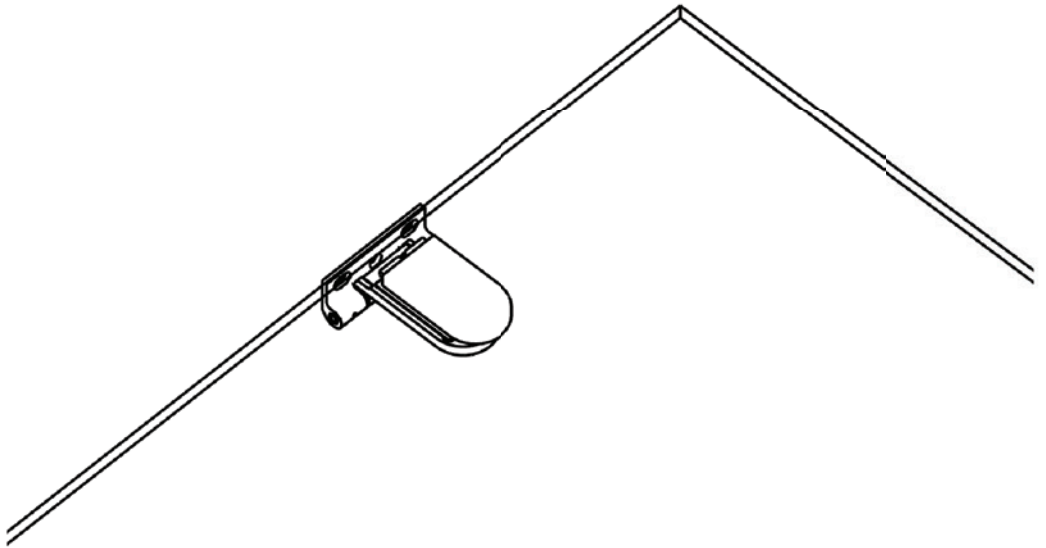
13



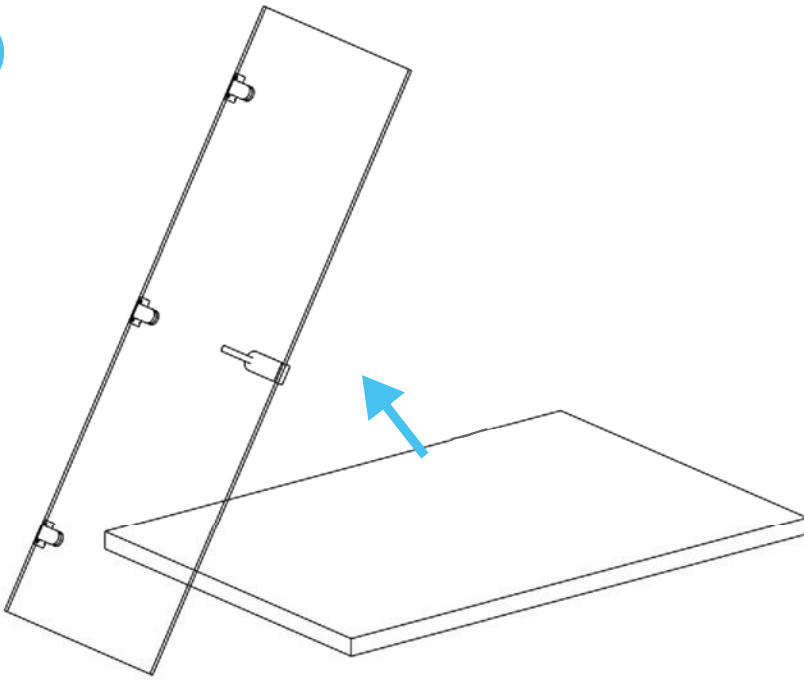
14



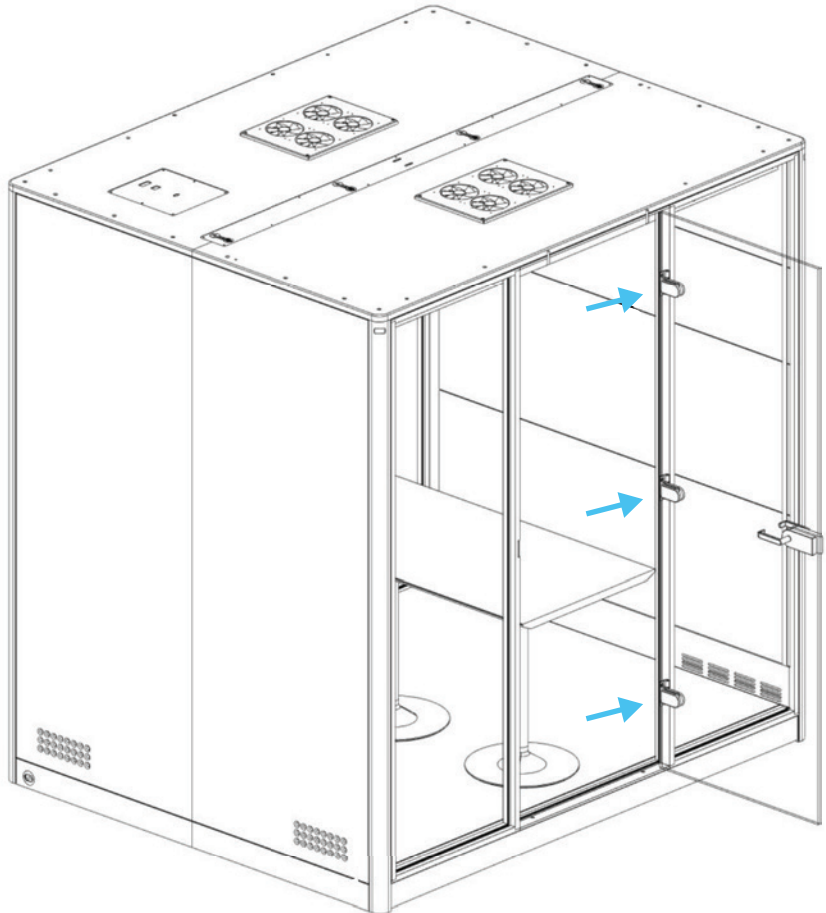
allen key
(1 mm)



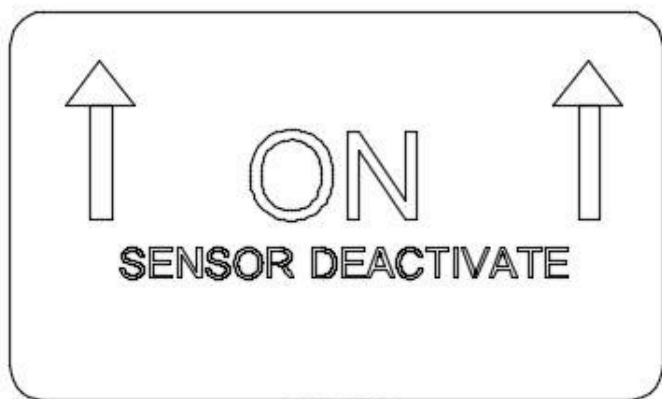
15



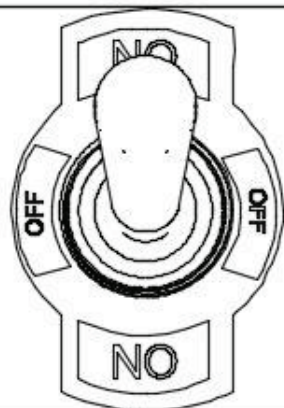
16



SENSOR ACTIVATION



Light and fans constant on mode



Light and fans off



Light and fans on motion sensor mode